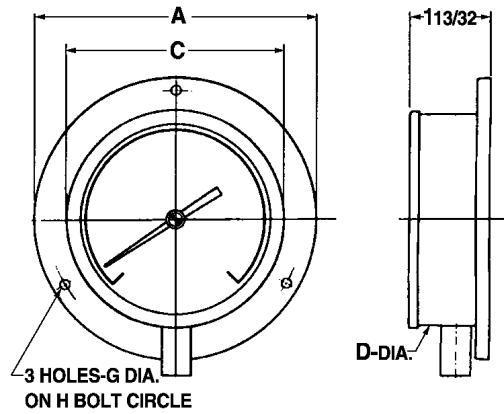


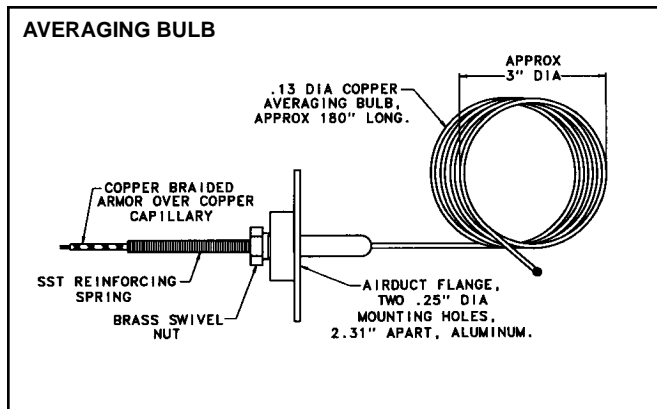
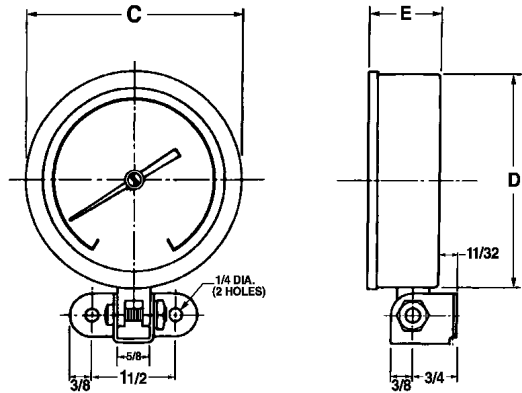
SPECIFICATIONS

DIAL SIZE - 3 1/2 and 4 1/2 inch.
CASE & RING - drawn stainless steel case with snap-in "O" ring gasketed clear lexan.
CASE STYLES - to accommodate wall or panel mounting (as shown).
DIAL - white coated aluminum with black markings.
POINTER - slotted adjustable type.
BOURDON TUBE - phosphor bronze.
THERMAL BULB & LINE ASSEMBLY - copper.
PROCESS CONN. FITTING - air duct flange.
ACCURACY - one scale division throughout range.

BL Case - Wall Mount Bottom Connected



ZL Case - Adjustable Bracket Mount



DIAL SIZE	A	C	D	E	G	H
3 1/2"	4 3/4	3 11/16	3 19/32	1 1/4	5/32	4 5/16
4 1/2"	5 7/8	4 11/16	4 19/32	1 1/4	7/32	5 3/8

°F RANGES
40-0-110°F
20-0-100°F
0-150°F
0-180°F
40-240°F
30-300°F
100-350°F

QTY.	DIAL SIZE	CASE STYLE	RANGE	CAPILLARY LENGTH*	TAG

NOTE: Dual Scales available.

*Distance between Indicating Head and Mounting Flange.

CUSTOMER _____
PROJECT _____
ENGINEER _____
PRO or P.O. NO. _____



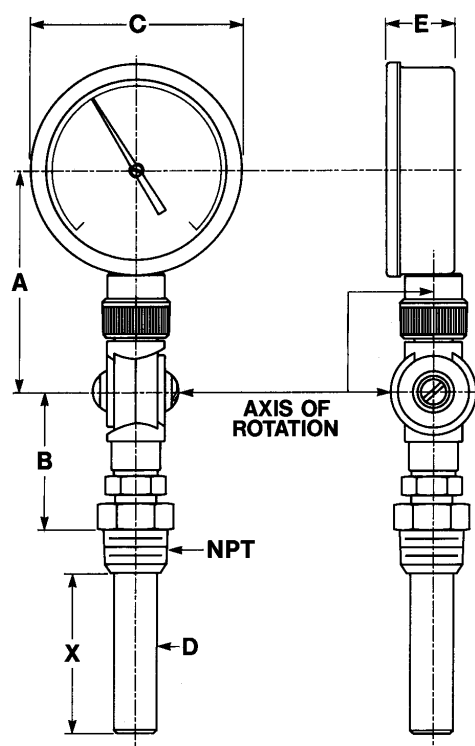
WEISS INSTRUMENTS, INC.
HOLTSVILLE, NEW YORK 11742

DESCRIPTION:
Remote Reading Vapor Actuated Dial Thermometer
Averaging Bulb Construction

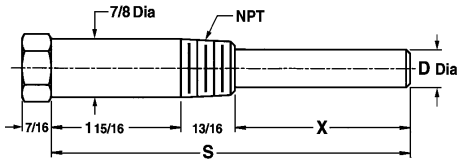
DRAWN BY: _____ DATE: _____ DRAWING: _____

SPECIFICATIONS

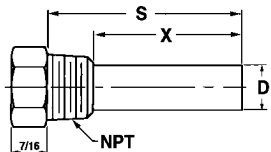
DIAL SIZE - 3 1/2 and 4 1/2 inch.
CASE & RING - drawn stainless steel case with snap-in "O" ring gasketed clear lexan.
DIAL - white coated aluminum with black markings.
POINTER - slotted adjustable type.
BOURDON TUBE - phosphor bronze.
THERMAL BULB - copper.
PROCESS CONN. FITTING - brass separable socket or aluminum air duct flange.
ACCURACY - one scale division throughout range.



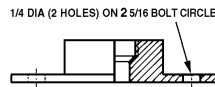
SOCKET W/ LAG EXTENSION



SOCKET CONN.



FLANGE CONN.



BULB NO. (CODE VI)	SOCKET CONNECTION			FLANGE CONN.	
	X	S	D	X	D
2	2 5/8	3 3/8	9/16	3	7/16
3	4 5/8	5 3/8	9/16	5	7/16

DIAL SIZE	A	B	C	E	D*	X LENGTH** FOR BULB NO. (CODE VI)			
						2	3	4	5
3 1/2"	3 7/8	2 9/16	3 11/16	1 1/4	9/16	2 5/8	4 5/8	6 5/8	8 5/8
4 1/2"	4 3/8	2 9/16	4 11/16	1 1/4	9/16				

°F RANGES
40-0-110°F
20-0-100°F
0-150°F
0-180°F
40-240°F
30-300°F
100-350°F

QTY.	CAT. NO.	DIAL DIA.	NPT	RANGE	TAG
	35VA3-0231	3 1/2"	1/2"		
	35VA3-0241	3 1/2"	3/4"		
	45VA3-0231	4 1/2"	1/2"		
	45VA3-0241	4 1/2"	3/4"		

NOTE: Dual Scales available.

NOTE: For Lag Extension Socket substitute 0351 (1/2" NPT) or 0361 (3/4" NPT).
For Flange Fitting substitute last 2 end numbers with (75). Ex: 45VA 3 - 0 2 7 5

CUSTOMER _____

PROJECT _____

ENGINEER _____

PRO or P.O. NO. _____



WEISS INSTRUMENTS, INC.
HOLTSVILLE, NEW YORK 11742

DESCRIPTION:

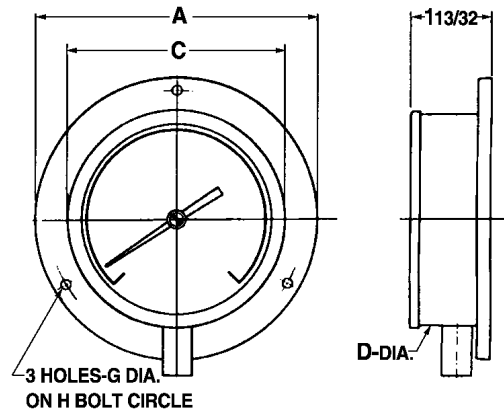
Vari-angle® Vapor Actuated Dial Thermometer

DRAWN BY: _____ DATE: _____ DRAWING: _____

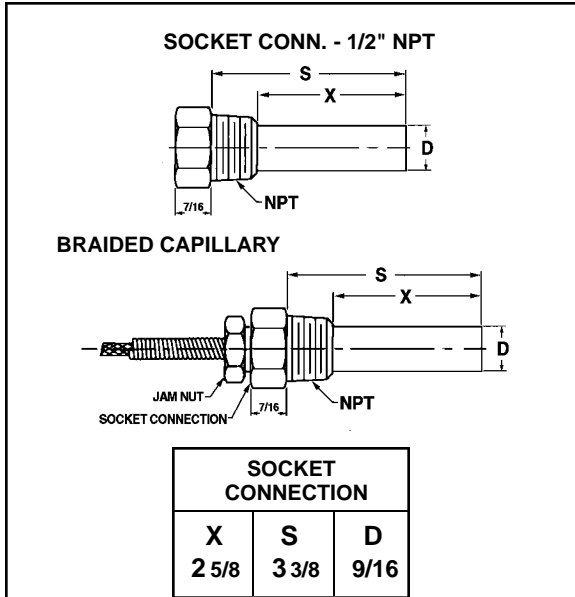
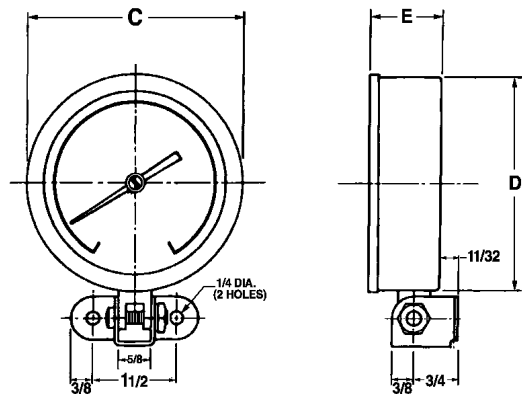
SPECIFICATIONS

DIAL SIZE - 3 1/2 and 4 1/2 inch.
CASE & RING - drawn stainless steel case with snap-in "O" ring gasketed clear lexan.
CASE STYLES - to accommodate wall or panel mounting (as shown).
DIAL - white coated aluminum with black markings.
POINTER - slotted adjustable type.
BOURDON TUBE - phosphor bronze.
THERMAL BULB & LINE ASSEMBLY - copper.
PROCESS CONN. FITTING - separable socket.
ACCURACY - one scale division throughout range.

BL Case - Wall Mount Bottom Connected



ZL Case - Adjustable Bracket Mount



DIAL SIZE	A	C	D	E	G	H
3 1/2"	4 3/4	3 11/16	3 19/32	1 1/4	5/32	4 5/16
4 1/2"	5 7/8	4 11/16	4 19/32	1 1/4	7/32	5 3/8

°F RANGES
40-0-110°F
20-0-100°F
0-150°F
0-180°F
40-240°F
30-300°F
100-350°F

QTY.	DIAL SIZE	CASE STYLE	RANGE	CAPILLARY LENGTH*	TAG

NOTE: Dual Scales available.

*Distance between Indicating Head and Socket.

CUSTOMER _____

PROJECT _____

ENGINEER _____

PRO or P.O. NO. _____



WEISS INSTRUMENTS, INC.
HOLTSVILLE, NEW YORK 11742

DESCRIPTION:

Remote Reading Vapor Actuated Dial Thermometers

DRAWN BY: _____ DATE: _____ DRAWING: _____