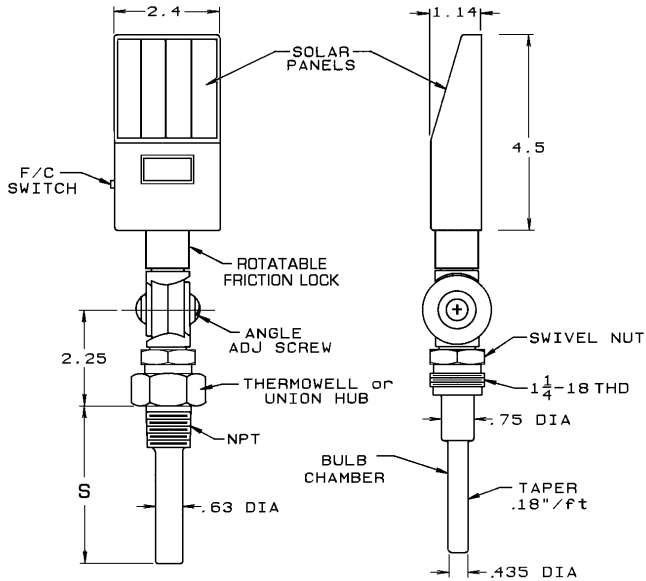
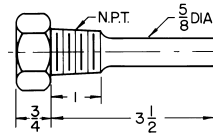


SPECIFICATIONS

CASE Hi-impact ABS
RANGE with F/C Switch -50/300 °F (-45/150 °C)
DISPLAY 1/2" LCD digits, wide ambient formula
ACCURACY 1% of reading or 1° whichever is greater
RESOLUTION 1/10° between -19.9/199.9 °F (-28/93 °C)
RECALIBRATION Through case potentiometer adjustment
LUX RATING 10 Lux (one foot-candle)
UPDATE 10 seconds
AMBIENT OPERATING -30/140 °F (-35/60 °C)
AMBIENT TEMP ERROR Zero
HUMIDITY 100%
SENSOR Glass passivated thermistor - NTC
STEM ASSEMBLIES **INDUSTRIAL GLASS**
 Full conformance with Fed Spec GG-T-321D. Fully interchangeable with Industrial Glass Thermometers.



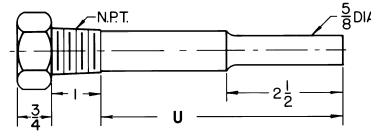
WITHOUT SOCKET	STEM	S-Dim.
DVU35	3 1/2"	3 1/2"
DVU6	6"	5"



Standard Stem - E Series

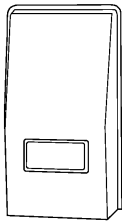
CAT. NO.	NPT
E35-75BS	3/4"

QTY.	CAT. NO.	TAG
	DVU 35	
	DVU 6	

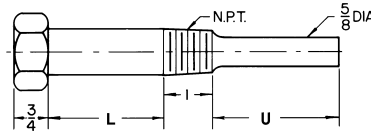


Long Stem - ER Series

CAT. NO.	U	NPT
ER6-75BS	5	3/4"
ER9-75BS	8	3/4"
ER12-75BS	11	3/4"

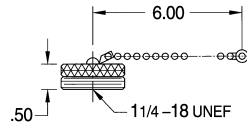


CAT. NO.	DESCRIPTION
DVC-4	Outdoor Waterproof Cover (4 pcs per pack)



Extension Neck - ESS, EN, ENS Series

CAT. NO.	L	U	NPT
ESS35-75BS	1	11/2	3/4"
EN6-75BS	2 1/2	2 1/2	3/4"
ENS9-75BS	2 1/2	5 1/2	3/4"
ENS12-75BS	2 1/2	8 1/2	3/4"



Cat.No. ECC - Brass Cap & Chain

THERMOWELLS

QTY.	CAT. NO.	STEM LGTH.	INSERTION	NPT	MATERIAL	TAG
	E35-75BS	3 1/2"	2 1/2"	3/4"	BRASS	
	ER6-75BS	6"	5"	3/4"	BRASS	
	EN6-75BS	6"	2 1/2"	3/4"	BRASS	

CUSTOMER _____

PROJECT _____

ENGINEER _____

PRO or P.O. NO. _____



WEISS INSTRUMENTS, INC.
 HOLTSVILLE, NEW YORK 11742

DESCRIPTION:

Vari-angle® Digital Thermometer
 Industrial Stem Assembly

DRAWN BY:

DATE:

DRAWING: