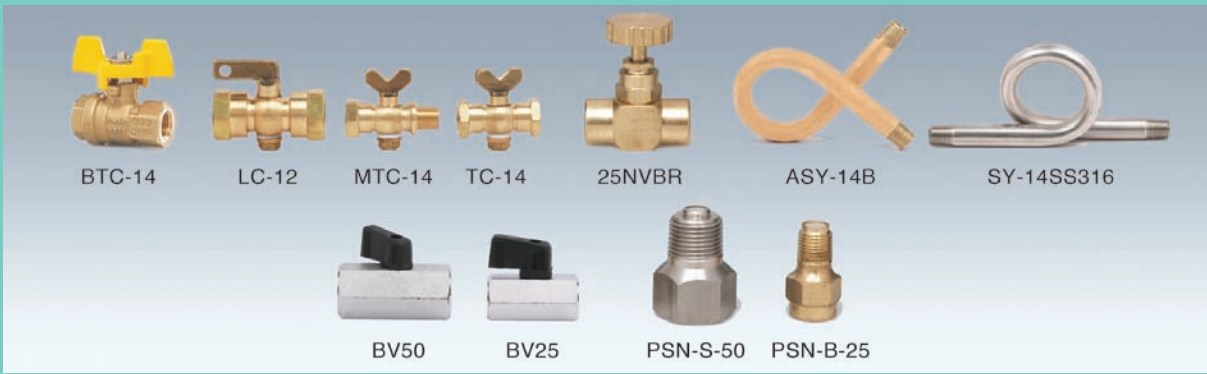


GAUGE ACCESSORIES



FORGED BRASS COCKS

CAT. NO.	SIZE	MATERIAL	RATING
BTC-14	1/4" NPTF x 1/4" NPTF	Brass	200 psi Hydraulic

BRASS GAUGE COCKS

CAT. NO.	SIZE	MATERIAL	RATING
TC-14	1/4" NPTF x 1/4" NPTF	Brass	200 psi Hydraulic
MTC-14	1/4" NPTF x 1/4" NPTM	Brass	200 psi Hydraulic
LC-14	1/4" NPTF x 1/4" NPTF	Brass	200 psi Hydraulic
LC-12	1/2" NPTF x 1/2" NPTF	Brass	200 psi Hydraulic

NEEDLE VALVES

CAT. NO.	SIZE	MATERIAL	RATING
25NVBR	1/4" NPTF X 1/4" NPTF	Brass	600 psi & 300°F
25NVSS	1/4" NPTF X 1/4" NPTF	304S.S.	4000 psi & 150°F

SYPHONS

CAT. NO.	SIZE	MATERIAL	RATING
SY-14S	1/4" NPTM x 1/4" NPTM	Iron	300 psi & 300°F
SY-14B	1/4" NPTM x 1/4" NPTM	Brass	400 psi & 300°F
SY-14SS304	1/4" NPTM x 1/4" NPTM	304SS	430 psi & 800°F
SY-14SS316	1/4" NPTM x 1/4" NPTM	316SS	450 psi & 800°F
ASY-14S	1/4" NPTM x 1/4" NPTM	Iron (Angle)	300 psi & 300°F
ASY-14B	1/4" NPTM x 1/4" NPTM	Brass (Angle)	400 psi & 300°F

All Syphons Schedule 40. Schedule 80 available on request.

PRESSURE SNUBBERS

CAT. NO.	DESCRIPTION	MATERIAL	PSI RATING AT 70°F
PSN-B-25	1/4" NPT	Brass	1,500 psi
PSN-B-50	1/2" NPT	Brass	1,500 psi
PSN-S-25	1/4" NPT	303S.S.	1,500 psi
PSN-S-50	1/2" NPT	303S.S.	1,500 psi

CHROME PLATED BRASS BALL VALVES

CAT. NO.	SIZE	MATERIAL	RATING
BV25	1/4" NPTF x 1/4" NPTF	Chrome Plated Brass	450 psi & 250°F
MBV25	1/4" NPTF x 1/4" NPTM	Chrome Plated Brass	450 psi & 250°F
BV50	1/2" NPTF x 1/2" NPTF	Chrome Plated Brass	450 psi & 250°F

WEISS INSTRUMENTS, INC.
 905 WAVERLY AVE., HOLTSMVILLE, NY 11742
 TEL: 631-207-1200 • FAX: 631.207.0900
www.weissinstruments.com



Old World Craftsmanship NEW WORLD TECHNOLOGY
 Since 1882 • Celebrating 128 Years

WEISS INSTRUMENTS

Temperature / Pressure Plugs



Weiss Temperature /Pressure Plugs allows for quick, efficient and accurate testing of hydronic pipe lines throughout HVAC systems. Offered in both nordel (blue cap) for hot and chilled water and neoprene (red cap) for natural gas, Weiss plugs are consistently rated at 1000 PSI. The self-sealing core insures long life and continuous service.

TEST PLUGS

CAT. NO.	NPT SIZE	BODY&CAP	PLUG CORE	LAG EXT	MAX TEMP
BP25-NP	1/4"	BRASS	NEOPRENE	—	200F
BP25-NR	1/4"	BRASS	NORDEL	—	275F
BP25L-NP	1/4"	BRASS	NEOPRENE	1 3/4"	200F
BP25L-NR	1/4"	BRASS	NORDEL	1 3/4"	275F
BP50-NP	1/2"	BRASS	NEOPRENE	—	200F
BP50-NR	1/2"	BRASS	NORDEL	—	275F
BP50L-NP	1/2"	BRASS	NEOPRENE	1 1/2"	200F
BP50L-NR	1/2"	BRASS	NORDEL	1 1/2"	275F



STANDARD PACKS

SERIES	COUNT
BP25	35
BP25L	20
BP50	15

TEST PLUG ACCESSORIES

CAT. NO.	DESCRIPTION
GA18	Gauge adaptor w/1/8" 304SS probe (probe guard included)
GA16	Gauge adaptor w/1/16" 304SS probe (probe guard included)
RS25	Cap Retainer Strap 1/4"
RS50	Cap Retainer Strap 1/2"



RS25



GA18

INSTRUMENT ACCESSORIES

CAT. NO.	DESCRIPTION
PT220	Pocket test 1" dial thermometer 0-220F
PT125	Pocket test 1" dial thermometer 25-125F
DP300	Pocket test digital thermometer 0-300F
TL25-030-4L	Pressure gauge 0-30 PSI
TL25-060-4L	Pressure gauge 0-60 PSI
TL25-100-4L	Pressure gauge 0-100 PSI
TL25-160-4L	Pressure gauge 0-160 PSI
TL25-200-4L	Pressure gauge 0-200 PSI



PT220



TL25-100-4L

TEST KIT

CAT. NO.	DESCRIPTION
TPK	Carrying Case includes (1) TL25-030-4L (1) TL25-160-4L (1) PT220 (1) GA18



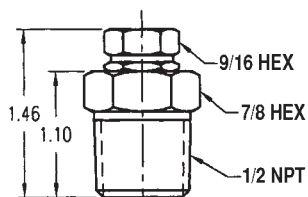
OPERATING INSTRUCTIONS

PRESSURE TEST

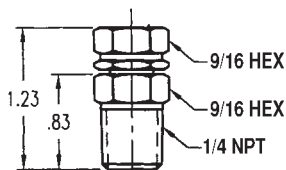
- 1) Thread gauge adapter onto the 1/4" NPT male thread of the pressure gauge. Use the proper pressure gauge to read the expected pressure at mid scale of the dial range.
- 2) Remove the cap from the test plug.
- 3) Insert the adapter /gauge assembly into the plug core. Read the pressure.
- 4) Remove the adapter /gauge assembly. Plug core will re-seal.
- 5) Replace the cap.

TEMPERATURE TEST

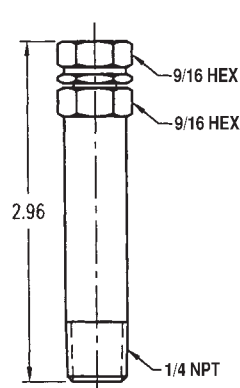
- 1) Remove the cap from the test plug.
- 2) Insert the pocket dial thermometer into the plug core. Read the temperature.
- 3) Remove the thermometer. Plug core will re-seal.
- 4) Replace the cap.



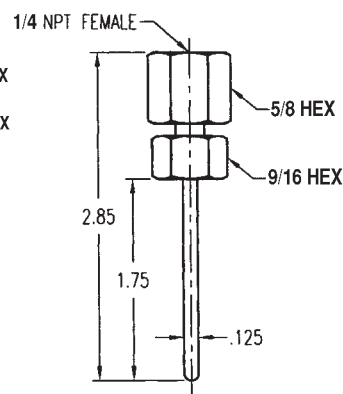
**Test Plug
1/2" NPT**



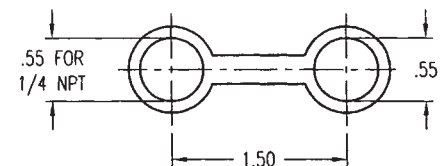
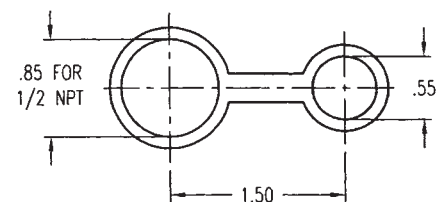
**Test Plug
1/4" NPT**



**Extension
1/4" NPT**



Gauge Adaptor



Plastic Cap Retainer

WEISS INSTRUMENTS

Thermal Isolator for Pressure Instruments

Coiled Tubing Assembly designed to protect Pressure Instruments from high medium temperature that might damage the instrument or affect its rated accuracy.

Capable of reducing process temperature up to 305°F (170°C).



Recommended for direct mounting instruments when the process temperature exceeds its maximum temperature rating. Air circulation along the 39" (1000 mm) length of the coiled tube dissipates heat from the process medium and reduces the temperature to acceptable levels when it reaches the instrument.

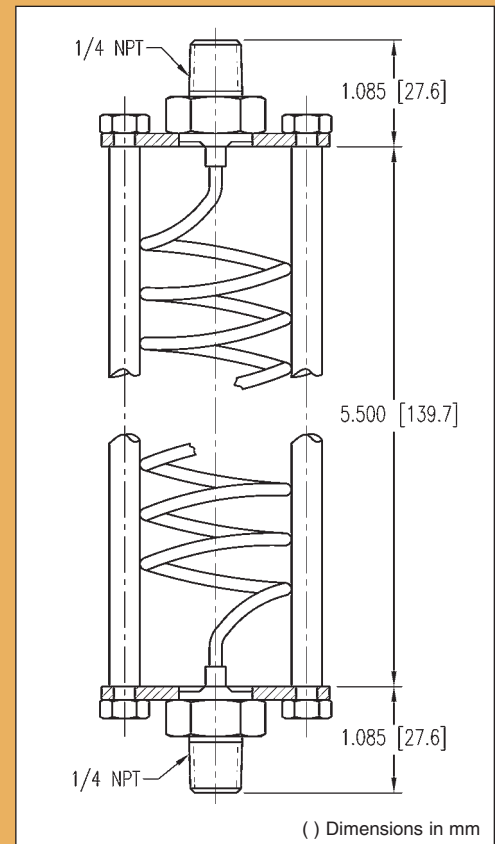
SPECIFICATIONS

- All stainless steel construction.
- Process Temperature reduction up to 350°F (175°C)*
- Coil ID sized to prevent clogging .055" (1.4mm).
- Standard process connection 1/4" NPT male, 1/4" NPT female.
- Customized configuration and connection available.
- Maximum operating pressure 1000 psi (7000 kPa).
- Maximum operating temperature 480°F (250°C).

* Actual temperature reduction is dependent on specific ambient conditions and process flow characteristics.

CAT NO.	DESCRIPTION
TI25M	1/4" NPT Male Instrument Connection* 1/4" NPT Male Process Connection
TI25F	1/4" NPT Male Instrument Connection* 1/4" NPT Female Process Connection

* Male instrument connection is standard, since the use of a Weiss 25NVSS Needle Valve is recommended between the gauge and isolator. See illustration below.



Following Weiss pressure gauge options are recommended for use in conjunction with the Thermal Isolator:



TI-7/09