

# WEISS INSTRUMENTS

HVAC  
Utility  
Diaphragm

## General Service Gauges

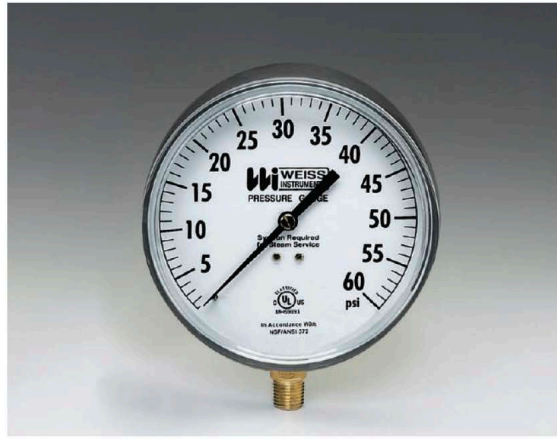
UL NSF 372/61

Lead Free Pressure Gauges  
Accessories for Potable Water



## HVAC Gauges-Series 4CTN-1

## Series 4CTS-1



The Weiss HVAC Gauges meets the specifications of contractors in heating, plumbing, air conditioning and ventilating applications.

This Series of gauges are intended for general service conditions, for pressure or vacuum on air, oil, water, gas or other mediums that do not attack brass.

Steam Service Gauges should be protected from excessive temperature by the installation of a coil type syphon. (Cat.No. SY14-S iron or SY14-B brass)

### SPECIFICATIONS

**CASE** - Black die cast aluminum, blow out disc standard.  
**RING** - Bayonet Black Aluminum.  
**WINDOW** - Glass window.  
**TUBE & SOCKET** - Phosphor bronze. <0.25% Lead Free Brass.  
**SOLDER CONNECTION** - Lead Free.  
**CONNECTION** - 1/4" NPT Lower.  
**DIAL** - 4 1/2" white coated metal lithographed with black graduations lines and numerals.  
**POINTER** - Slotted adjustable.  
**MOVEMENT** - All brass construction, precision gear and pinion.  
**ACCURACY** ±1% of span- ANSI-ASME B40.1 Grade 1A.  
**CERTIFICATION** - UL in accordance with NSF/ANSI 372/61  
 For use with Potable Water  
**OPTIONAL FEATURES** - Acrylic window – Red set hand  
**OPERATING TEMPERATURE**  
 Ambient: -40°F to 140°F (-40°C to 60°C)  
 Media: 180°F (85°C) maximum

### SPECIFICATIONS

**CASE & WINDOW**-Drawn stainless steel, with push-in Lexan window.  
**TUBE & SOCKET** - Phosphor bronze. <0.25% Lead Free Brass. Lead Free soldered connection.  
**DIAL** - 4 1/2" white coated metal lithographed with black graduations lines and numerals.  
**MOVEMENT**-All brass construction, precision gear and pinion.  
**POINTER**-Slotted adjustable.  
**ACCURACY** ±1% ANSI-ASME B40.1 Grade 1A.  
**CONNECTION** - 1/4" NPT Lower.  
**CERTIFICATION** - UL in accordance with NSF/ANSI 372/61  
 For use with Potable Water  
**OPTIONAL FEATURE** - Red set hand  
**OPERATING TEMPERATURE**  
 Ambient: -40°F to 140°F (-40°C to 60°C)  
 Media: 180°F (85°C) maximum

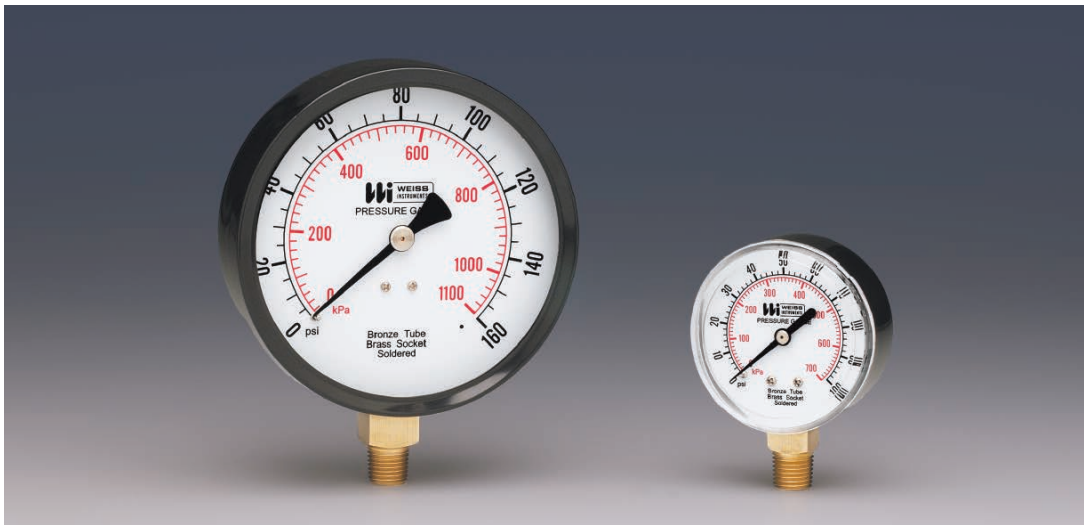
## Series 4CTA-1



### SPECIFICATIONS

**CASE & WINDOW**-Drawn stainless steel back flange with push-in Lexan window.  
**TUBE & SOCKET** - Phosphor bronze. <0.25% Lead Free Brass. Lead Free soldered connection.  
**DIAL** - 4 1/2" white coated metal lithographed with black graduations lines and numerals.  
**MOVEMENT**-All brass construction, precision gear and pinion.  
**POINTER**-Slotted adjustable.  
**ACCURACY** ±1% ANSI-ASME B40.1 Grade 1A.  
**CONNECTION** - 1/4" NPT Lower.  
**CERTIFICATION** - UL in accordance with NSF/ANSI 372/61  
 For use with Potable Water  
**OPTIONAL FEATURE** - Red set hand  
**OPERATING TEMPERATURE**  
 Ambient: -40°F to 140°F (-40°C to 60°C)  
 Media: 180°F (85°C) maximum

# Utility Gauges - Series TL



The Weiss Series TL Gauges are intended for general service conditions, for pressure or vacuum on air, oil, water, gas or other mediums that do not attack brass.

Steam Service Gauges should be protected from excessive temperature by the installation of a coil type syphon. (Cat.No. SY14-S iron or SY14-B brass)

## SPECIFICATIONS

**TUBE & SOCKET** - Bronze, soft soldered to socket and tip. Brass socket.

**CASE & WINDOW** - Drawn steel case, finished in black with push-in polycarbonate window.

**DIAL** - White coated metal lithographed with black and red graduations lines and numerals, dual scale - psi & kPa.

**MOVEMENT** - All brass construction, precision gear and pinion, mounted on socket independent of case.

**POINTER** - Balanced design, aluminum in black finish.

**ACCURACY** 2% of the middle third of the entire range. ANSI-ASME B40.1 Grade B.

LOWER CONNECTION		
DIAL SIZE	CAT. NO.	NPT CONNECTION
1 1/2"	TL15	1/8"
2"	TL20	1/8" or 1/4"
2 1/2"	TL25	1/4"
4"	TL40	1/4"

CENTER BACK CONNECTION		
DIAL SIZE	CAT. NO.	NPT CONNECTION
1 1/2"	TL15	1/8"
2"	TL20	1/8" or 1/4"
2 1/2"	TL25	1/4"

## PRESSURE (psi)

Range	Figure interval	Minor graduation
0-15	1	0.5
0-30	5	0.5
0-60	5	1.0
0-100	10	2.0
0-160	20	5.0
0-200	20	5.0
0-300	30	10.0
0-400♦	50	10.0
0-600♦	50	10.0

## COMPOUND Figure interval Minor graduation

Range	Figure interval		Minor graduation	
	in Hg	psi	in Hg	psi
30"Hg-15psi♦	5	3	1	0.5
30"Hg-30psi♦	10	5	2	1
30"Hg-60psi♦	10	10	2	2
30"Hg-100psi♦	30	20	5	2

## VACUUM

Range	Figure interval	Minor graduation
0-30"Hg	5"Hg	0.5"Hg

♦ Ranges not available on Catalog No. TL15.

## Diaphragm Gauges - Series DG25



U-Clamp available for panel mount applications.

The Weiss Series DG Gauges are used where accuracy is required in the measurement of pressures below 10 psi. This line of diaphragm gauges offers an instrument highly sensitive yet durably constructed. Utilizing a thin walled copper-alloy, the diaphragm senses slight pressure or vacuum and expands or contracts. The action of the element is quickly and accurately indicated within 1.5% of full scale range.

The Weiss Diaphragm Gauge is an excellent choice for a wide variety of applications where the standard bourdon tube gauge cannot perform reliably. Some of the uses are filter monitoring, leak testers and LP gas.

### SPECIFICATIONS

**CASE** - Black drawn steel with twist lock polycarbonate window.

**DIAPHRAGM** - Copper alloy.

**SOCKET** - Brass, 1/4" NPT lower or center back connection.

**MOVEMENT** - Brass.

**DIAL** - 2 1/2" white coated metal lithographed with black graduations lines and numerals.

**POINTER** - Balanced design, aluminum in black finish. **ACCURACY** - 1.5% of full scale range.

TO SPECIFY			
SERIES	RANGE TYPE	RANGE CODE	MOUNT LOCATION
DG25	P Pressure V Vacuum O Ounce Pressure C Combination Pressure		4L 1/4" Lower 4B 1/4" Back
Ex: DG25C - 035 - 4L			

PRESSURE				COMBINATION		INNER SCALE		OUTER SCALE		CODE
RANGE	GRADUATIONS	FIG. INTERVAL	CODE	IN. WATER OUTER SCALE	OZ. WATER INNER SCALE	GRADS	FIGURE INTERVAL	GRADS	FIGURE INTERVAL	
0-3psi*	0.05	0.5	003	0-35	0-20	0.5	5.0	0.5	5.0	035
0-5 psi	0.1	1.0	005	0-15	0-9	0.2	1.0	0.2	3.0	015
0-10 psi	0.1	1.0	010	0-60	0-35	1.0	5.0	1.0	10.0	060
<b>inch/water</b>										
0-15	0.2	3.0	015							
0-30	0.5	5.0	030							
0-60	1.0	10.0	060							
0-100	1.0	10.0	100							
				<b>VACUUM - in water vac.</b>						
<b>oz.-sq. in.</b>				<b>RANGE</b>	<b>GRADUATIONS</b>	<b>FIG. INTERVAL</b>				<b>CODE</b>
0-15*	0.2	3.0	015	30-0	0.5	5.0				030
0-30	1.0	5.0	030	60-0	1.0	10.0				060
0-100	1.0	10.0	100	100-0	1.0	10.0				100
*Lower connection only.										

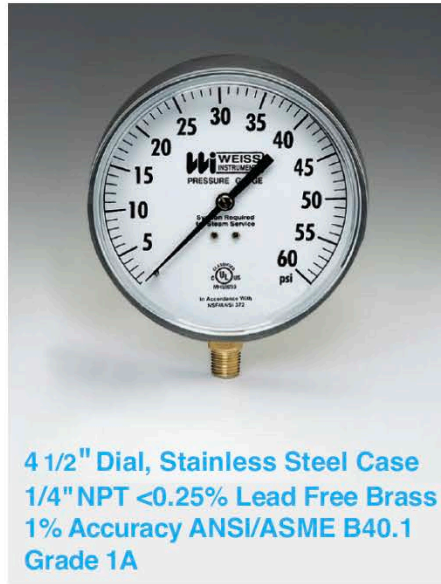
# UL IN ACCORDANCE WITH NSF/ANSI 372/61 POTABLE WATER LEAD FREE PRESSURE GAUGES & ACCESSORIES

## Series 4CTN-1



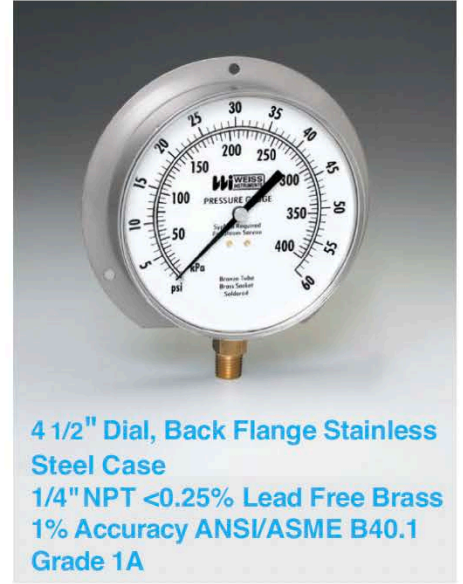
4 1/2" Dial, Black Aluminum Case  
1/4" NPT <0.25% Lead Free Brass  
1% Accuracy ANSI/ASME B40.1  
Grade 1A

## 4CTS-1



4 1/2" Dial, Stainless Steel Case  
1/4" NPT <0.25% Lead Free Brass  
1% Accuracy ANSI/ASME B40.1  
Grade 1A

## 4CTA-1



4 1/2" Dial, Back Flange Stainless Steel Case  
1/4" NPT <0.25% Lead Free Brass  
1% Accuracy ANSI/ASME B40.1  
Grade 1A

**SINGLE, DUAL METRIC & ALTITUDE DIALS FOR 4CTS-1, 4CTN-1, 4CTA-1**

- PSI
- PSI & kPa
- PSI & Bar
- PSI & Kg/cm<sup>2</sup>
- PSI & FT H<sub>2</sub>O (15 to 300 psi)

**SINGLE SCALE DIALS FOR 25CTSLF**

- PSI (30 to 300 psi)

## 25CTSLF



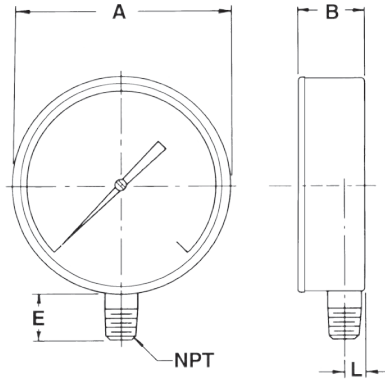
2 1/2" Dial, Black Steel Case  
1/4" NPT <0.25% Lead Free Brass  
2% Accuracy ANSI/ASME B40.1  
Grade B

## Standard Ranges

PRESSURE (psi) - Series 4CTA-1, 4CTN-1, 4CTS-1			COMPOUND				
Range	Figure interval	Minor graduation	Range	Figure interval	Minor graduation		
0-15	1	0.2	30"Hg - 15psi 30"Hg - 30psi 30"Hg - 60psi 30"Hg-100psi 30"Hg-150psi 30"Hg-200psi 30"Hg-300psi	in Hg	psi	in Hg	psi
0-30	5	0.5				1	0.5
0-60	5	1.0		2	1		
0-100	10	1.0		2	2		
0-160	20	2.0		5	2		
0-200	20	2.0		5	2		
0-300	50	5.0		5	5		
0-400	50	5.0		10	5		
0-600	50	10.0					
			VACUUM				
			Range	Figure interval	Minor graduation		
			0-30"Hg	5"Hg	0.5"Hg		

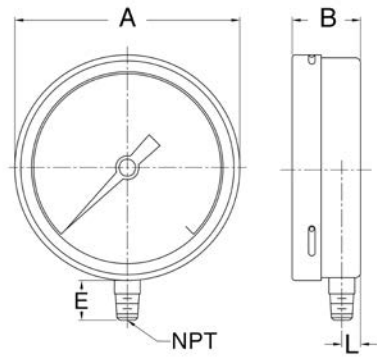


## Series 4CTS-1



SERIES		A	B	E	L	NPT
4CTS	INCH	4.67	1.17	.87	.39	1/4"
	MM	118.6	29.7	22.1	9.9	

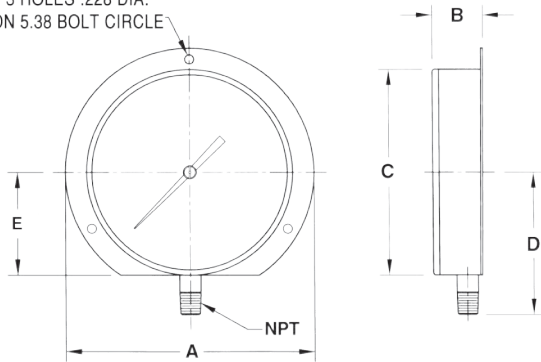
## Series 4CTN-1



SERIES		A	B	E	L	NPT
4CTN	INCH	4.80	1.46	.85	.40	1/4"
	MM	122.9	37.1	21.6	10.2	

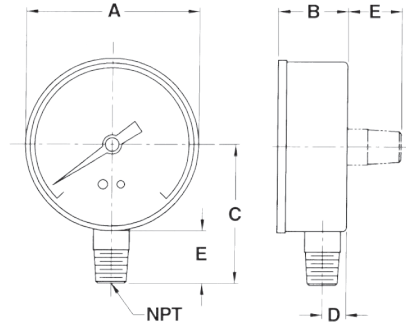
## Series 4CTA-1

3 HOLES .228 DIA.  
ON 5.38 BOLT CIRCLE



SERIES		A	B	C	D	E	NPT
4CTA	INCH	5.81	1.37	4.75	3.37	2.37	1/4"
	MM	147.5	34.9	120.6	85.7	60.3	

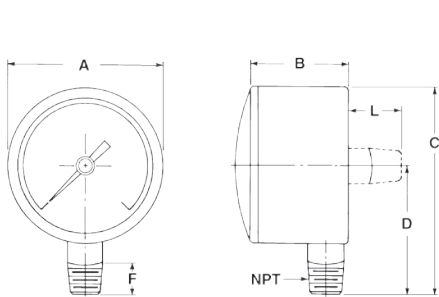
## Series TL



LOWER AND CENTER BACK CONNECTION

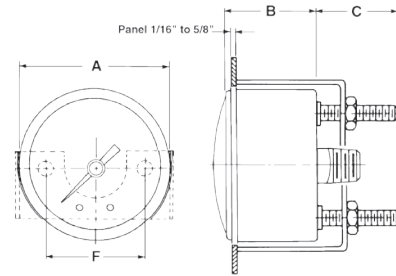
DIAL SIZE		A	B	C	D	E	NPT
1 1/2"	(IN.)	1.58	1.08	1.40	.34	.70	1/8"
2"		1.93	1.10	1.75	.40	.78	1/8 or 1/4"
2 1/2"		2.44	1.18	2.08	.40	.90	1/8 or 1/4"
4"		3.90	1.26	2.80	.40	—	1/4"

## Series DG25



LOWER AND CENTER BACK CONNECTION

SERIES		A	B	C	D	F	L	NPT
DG25	INCH	2.64	1.83	2.62	55.8	.5	.88	1/4"
	MM	67	46.5	66.5	2.2	12.7	22.3	



U CLAMP MOUNT - CENTER BACK CONNECTION

SERIES		A	B	C	F	Panel Hole	NPT
DG25	INCH	2.64	1.83	1.00	2.00	2.65	1/4"
	MM	67	46.5	25.4	50.8	67.3	

Send for Weiss Literature to match your specific application.



IND-3/08

BM-3/08

V-1/10

GD-5/11

LPD-12/17



SG-9/08

SOG-9/13

SSG-9/13

SMX-5/17

HVAC-10/15

PHC-9/18

**WEISS INSTRUMENTS, LLC.**  
905 WAVERLY AVE., HOLTSTVILLE, NEW YORK 11742  
TEL: 631-207-1200 • FAX: 631.207.0900  
[www.weissinstruments.com](http://www.weissinstruments.com)

Distributed by:



A Quality Commitment • Since 1882  
Sales Representatives in all Principal Cities