

CASE & RING: 4" type 304 stainless steel case with polished stainless steel bayonet ring.

DIAL: White aluminum with black and red markings (psi & kPa).

WINDOW: Clear acrylic.

TUBE: Phosphor Bronze Bourdon to 600psi, 316SS to 15,000psi.

SOCKET: Brass with push-in restrictor.

POINTER: Black anodized aluminum, micro adjustable.

MOVEMENT: Brass rotary type with bushings.

ACCURACY: ASME B40.1 Grade 1A 1%

CONNECTION: 1/4" or 1/2" NPT bottom or lower back.

RANGES: Vacuum, Compound, Pressure to 15,000 psi.

	A	B	C	F	M	L	L ₁	NPT
INCH	4.41	1.99	3.98	.57	.61	1.24	1.37	1/4" or
MM	112	50.5	101	14.5	15.5	31.5	34.8	1/2"

QTY.	CAT. NO.	DIAL DIA.	RANGE	TAG
	LF401	4"		
	LF401	4"		
	LF401	4"		
	LF401	4"		
	LF401	4"		

RANGES					
RANGE CODE	RANGE - psi	kPa	RANGE CODE	RANGE - psi	kPa
015	0-15	0-100	5000	0-5000	0-40,000
030	0-30	0-200	6000	0-6000	0-42,000
060	0-60	0-400	10000	0-10,000	0-70,000
100	0-100	0-700	15000	0-15,000	0-100,000
160	0-160	0-1100	VAC	0-30"HG	-100-0
200	0-200	0-1400	V30	30"-0-30	-100-200
300	0-300	0-2100	V60	30"-0-60	-100-400
400	0-400	0-2800	V100	30"-0-100	-100-700
600	0-600	0-4200	V150	30"-0-150	-100-1000
1000	0-1000	0-7000	V200	30"-0-200	-100-1400
1500	0-1500	0-10,000	V300	30"-0-300	-100-2100
2000	0-2000	0-14,000			
3000	0-3000	0-21,000			

CUSTOMER _____

PROJECT _____

ENGINEER _____

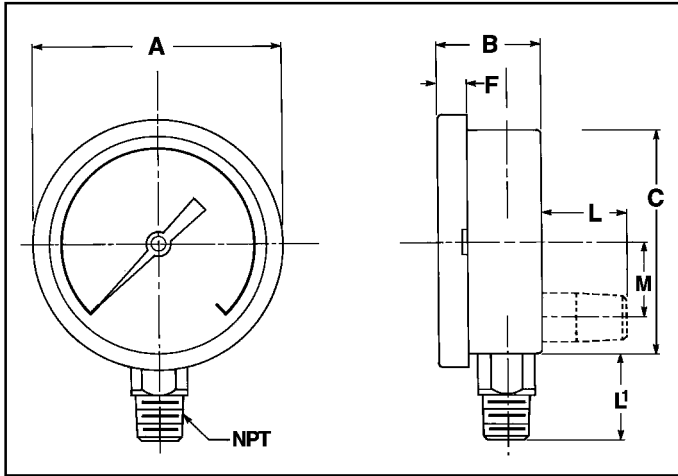
PRO or P.O. NO. _____



WEISS INSTRUMENTS, INC.
HOLTSVILLE, NEW YORK 11742

DESCRIPTION:
4" Dial Industrial Pressure Gauge
Copper Alloy Wetted Parts - Glycerine Filled
Series LF401

DRAWN BY: _____ DATE: _____ DRAWING: _____



CASE & RING: 4" type 304 stainless steel case with polished stainless steel bayonet ring.

DIAL: White aluminum with black and red markings (psi & kPa).

WINDOW: Clear acrylic.

TUBE: Type 316 Stainless Steel

SOCKET: Type 316 Stainless Steel w/ threaded restrictor.

POINTER: Black anodized aluminum, micro adjustable.

MOVEMENT: Stainless Steel rotary type with bushings.

ACCURACY: 1% of span.

CONNECTION: 1/4" or 1/2" NPT bottom or lower back.

RANGES: Vacuum, Compound, Pressure to 15,000 psi.

	A	B	C	F	M	L	L1	NPT
INCH	4.41	1.99	3.98	.57	.61	1.24	1.37	1/4" or
MM	112	50.5	101	14.5	15.5	31.5	34.8	1/2"

QTY.	CAT. NO.	DIAL DIA.	RANGE	TAG
	NF402	4"		
	NF402	4"		
	NF402	4"		
	NF402	4"		
	NF402	4"		

RANGES					
RANGE CODE	RANGE - psi	kPa	RANGE CODE	RANGE - psi	kPa
015	0-15	0-100	5000	0-5000	0-40,000
030	0-30	0-200	6000	0-6000	0-42,000
060	0-60	0-400	10000	0-10,000	0-70,000
100	0-100	0-700	15000	0-15,000	0-100,000
160	0-160	0-1100	VAC	0-30"HG	-100-0
200	0-200	0-1400	V30	30"-0-30	-100-200
300	0-300	0-2100	V60	30"-0-60	-100-400
400	0-400	0-2800	V100	30"-0-100	-100-700
600	0-600	0-4200	V150	30"-0-150	-100-1000
1000	0-1000	0-7000	V200	30"-0-200	-100-1400
1500	0-1500	0-10,000	V300	30"-0-300	-100-2100
2000	0-2000	0-14,000			
3000	0-3000	0-21,000			

CUSTOMER _____

PROJECT _____

ENGINEER _____

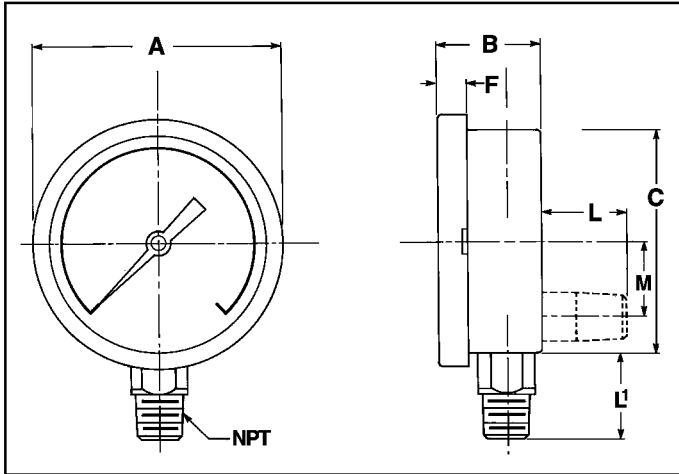
PRO or P.O. NO. _____



WEISS INSTRUMENTS, INC.
HOLTSVILLE, NEW YORK 11742

DESCRIPTION:
4" Dial Stainless Steel Case
316 S.S. Wetted Parts -Dry Construction
Series NF402

DRAWN BY: _____ DATE: _____ DRAWING: _____



CASE & RING: 4" type 304 stainless steel case with polished stainless steel bayonet ring.

DIAL: White aluminum with black and red markings (psi & kPa).

WINDOW: Clear acrylic.

TUBE: Type 316 Stainless Steel

SOCKET: Type 316 Stainless Steel w/ threaded restrictor.

POINTER: Black anodized aluminum, micro adjustable.

MOVEMENT: Stainless Steel rotary type with bushings.

ACCURACY: 1% of span.

CONNECTION: 1/4" or 1/2" NPT bottom or lower back.

RANGES: Vacuum, Compound, Pressure to 15,000 psi.

	A	B	C	F	M	L	L ₁	NPT
INCH	4.41	1.99	3.98	.57	.61	1.24	1.37	1/4" or
MM	112	50.5	101	14.5	15.5	31.5	34.8	1/2"

QTY.	CAT. NO.	DIAL DIA.	RANGE	TAG
	LF402	4"		
	LF402	4"		
	LF402	4"		
	LF402	4"		
	LF402	4"		

RANGES

RANGE CODE	RANGE - psi	kPa	RANGE CODE	RANGE - psi	kPa
015	0-15	0-100	5000	0-5000	0-40,000
030	0-30	0-200	6000	0-6000	0-42,000
060	0-60	0-400	10000	0-10,000	0-70,000
100	0-100	0-700	15000	0-15,000	0-100,000
160	0-160	0-1100	VAC	0-30"HG	-100-0
200	0-200	0-1400	V30	30"-0-30	-100-200
300	0-300	0-2100	V60	30"-0-60	-100-400
400	0-400	0-2800	V100	30"-0-100	-100-700
600	0-600	0-4200	V150	30"-0-150	-100-1000
1000	0-1000	0-7000	V200	30"-0-200	-100-1400
1500	0-1500	0-10,000	V300	30"-0-300	-100-2100
2000	0-2000	0-14,000			
3000	0-3000	0-21,000			

CUSTOMER _____

PROJECT _____

ENGINEER _____

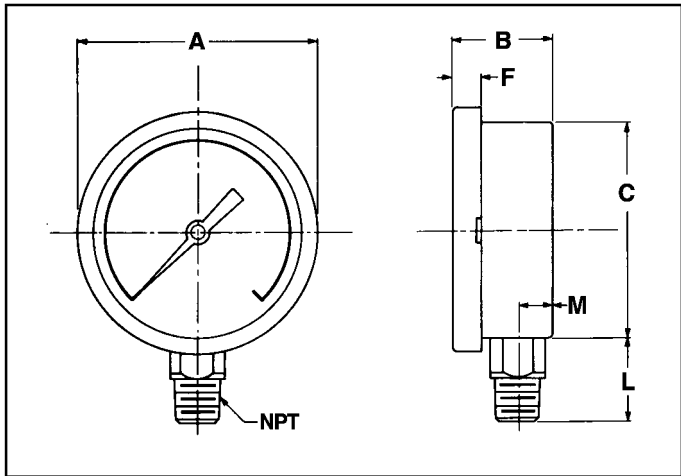
PRO or P.O. NO. _____



WEISS INSTRUMENTS, INC.
HOLTSVILLE, NEW YORK 11742

DESCRIPTION:
4" Dial Industrial Pressure Gauge
316 S.S. Wetted Parts - Glycerine Filled
Series LF402

DRAWN BY: _____ DATE: _____ DRAWING: _____



CASE & RING: 6" type 304 stainless steel case with blow out disc, polished stainless steel bayonet ring.
DIAL: White aluminum with black and red markings. (psi&kPa)
WINDOW: Glass.
TUBE: Phosphor Bronze.
SOCKET: Brass.
POINTER: Black anodized aluminum, micro adjustable.
MOVEMENT: Stainless steel rotary type with bushings.
ACCURACY: 0.5% ASME B40.1 Grade 2A
CONNECTION: 1/4" NPT bottom.
RANGES: Vacuum, Compound, Pressure to 600 psi.

SERIES		A	B	C	F	M	L	NPT
NF601	INCH	6.31	2.0	5.9	.57	.65	1.58	1/4" or 1/2"
	MM	160	50.8	150	14.5	16.5	40.1	

QTY.	CAT. NO.	DIAL DIA.	RANGE	TAG
	NF601	6"		
	NF601	6"		
	NF601	6"		
	NF601	6"		
	NF601	6"		

RANGES					
RANGE CODE	RANGE - psi	kPa	RANGE CODE	RANGE - psi	kPa
015	0-15	0-100	VAC	0-30" HG	-100-0
030	0-30	0-200	V30	30"-0-30	-100-200
060	0-60	0-400	V60	30"-0-60	-100-400
100	0-100	0-700	V100	30"-0-100	-100-700
160	0-160	0-1100	V150	30"-0-150	-100-1000
200	0-200	0-1400	V200	30"-0-200	-100-1400
300	0-300	0-2100	V300	30"-0-300	-100-2100
400	0-400	0-2800			
600	0-600	0-4200			

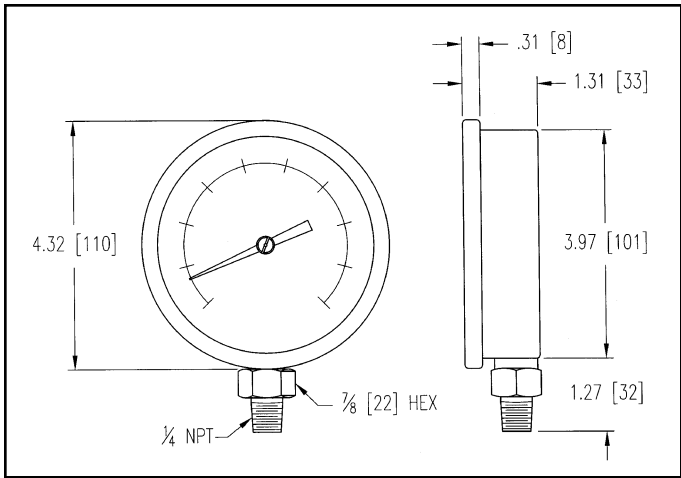
CUSTOMER _____
 PROJECT _____
 ENGINEER _____
 PRO or P.O. NO. _____



WEISS INSTRUMENTS, INC.
 HOLTSTVILLE, NEW YORK 11742

DESCRIPTION:
6" Dial Pressure Gauge
 Series NF601

DRAWN BY: _____ DATE: _____ DRAWING: _____



() Dimensions shown in mm.

CASE & RING: 4" type 304 stainless steel case with polished stainless steel crimped ring.

DIAL: White aluminum with black and red markings. (psi & Kpa)

WINDOW: Clear acrylic.

TUBE: Phosphor Bronze.

SOCKET: Brass with push-in restrictor.

POINTER: Black anodized aluminum.

MOVEMENT: Brass rotary type with bushings.

ACCURACY: 1% of span.

CONNECTION: 1/4" NPT bottom.

RANGES: Vacuum, Compound, Pressure to 5000 psi.

QTY.	CAT. NO.	DIAL DIA.	RANGE	TAG
	LF441	4" (100mm)		
	LF441	4" (100mm)		
	LF441	4" (100mm)		
	LF441	4" (100mm)		
	LF441	4" (100mm)		

COMPOUND	Figure interval		Minor graduation	
	in Hg	psi	in Hg	psi
30"Hg-30psi	10	5	2	1
30"Hg-60psi	10	10	2	2
30"Hg-100psi	30	20	5	2
30"Hg-150psi	30	25	5	5
30"Hg-200psi	30	20	5	5

PRESSURE / psi		
Range	Figure interval	Minor graduation
0-15	3	0.5
0-30	5	1.0
0-60	10	2.0
0-100	20	2.0
0-160	20	2.0
0-200	25	5.0
0-300	50	10.0
0-400	50	10.0
0-600	100	10.0
0-1000	200	20.0
0-1500	250	50.0
0-2000	250	50.0
0-3000	500	100.0
0-5000	1000	100.0

VACUUM		
Range	Figure interval	Minor graduation
0-30"Hg	5"Hg	0.5"Hg

CUSTOMER _____

PROJECT _____

ENGINEER _____

PRO or P.O. NO. _____



WEISS INSTRUMENTS, INC.
HOLTSVILLE, NEW YORK 11742

DESCRIPTION:

4" Glycerine Filled Pressure Gauge

DRAWN BY: _____ DATE: _____ DRAWING: _____