

**ADVANCED DESIGN**  
• Transducer Based Construction  
• Rugged Shock & Vibration Resistant

# WEISS INSTRUMENTS

## Light Powered Digital Process Pressure Gauges

- IP65 Weatherproof Housing
- ASME B40.7 Conformance
- User Selector Functions
- Optional 4-20 MA Output
- <10 Lux Rating
- Large Display



### Advanced Technology in Pressure Measurement

The wide acceptance and success of Weiss Light Powered Instruments is attributed to their high level of quality and reliability as well as an understanding about the impractical nature of changing batteries in industrial applications.

©Solar MetriX is a registered trademark of Weiss Instruments, Inc.



**LIGHT POWER**  
**GREEN POWER**



## SPECIFICATIONS - Model DUGY3

**Case:** 41/2" Black Glass Reinforced Thermo Plastic (PBTP) Solid Front Construction, Blow Out Back Safety Design, Weatherproof IP65

**Window:** Acrylic

**Sensor:** Gold Plated Ceramic, Kalrez® (chemically resistant) O-Ring Seal

**Wetted Materials:** 316SS

**Connection:** 1/4" or 1/2" NPT Lower

**Ranges:** Vacuum to 1,000 psi (See Range Table)

**Accuracy:** 0.5% Full Scale ASME 40.7 AA  
(.25% available consult factory)

**Ambient Operating:** 10 – 140°F (-10–60°C)

## DISPLAY

**Type:** LCD

**Lux Rating:** <10 (only one foot-candle)

**Resolution:** 1/4%

**Digits:** (4) 5/8" High

**Update:** One second  
Two seconds (under 20 Lux)

## USER SELECTOR FUNCTIONS

**Left Units** Select from 4 units of measure  
PSI, kPa, KG/CM2 or Bar with  
corresponding Vacuum

**Center Zero** Adjustment ±4 increments

**Right Avg.** Set reading in average of  
1,2,4,8 seconds

316SS Sensor / 316SS Socket 1/4" NPT		316SS Sensor / 316SS Socket 1/2" NPT	
Range	Cat. No.	Range	Cat. No.
15 psi*	DUGY3-015-4L	15 psi*	DUGY3-015-2L
60 psi*	DUGY3-060-4L	60 psi*	DUGY3-060-2L
100 psi*	DUGY3-100-4L	100 psi*	DUGY3-100-2L
200 psi	DUGY3-200-4L	200 psi	DUGY3-200-2L
400 psi	DUGY3-400-4L	400 psi	DUGY3-400-2L
1000 psi	DUGY3-1000-4L	1000 psi	DUGY3-1000-2L

\*These Ranges (Items also indicate Vacuum)

## HOW TO ORDER – DUGY3 - Range Code - NPT Size - Location - Options

Range	Code	Size	Code	Code
Vac to 15 psi	015	1/4 Lower	4L	SG
Vac to 60 psi	060	1/2 Lower	2L	T
Vac to 100 psi	100			
0-200 psi	200			
0-400 psi	400			
0-1000psi	1000			

EX: DUGY3-060-4L

## OPTIONS

**SG-Safety Glass**

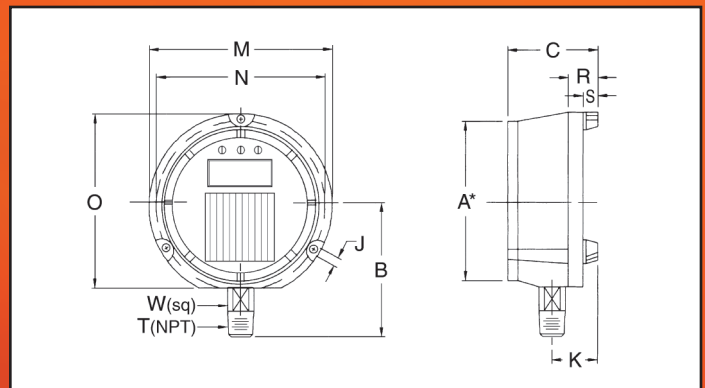
**T - 4-20 MA Output**  
Starts at zero psi to top of  
Range

## Digital Ranges

Vacuum	psi	kPa	KG/CM2	Bar
30" HG*	15	100	1	1
30" HG*	60	400	4	4
30" HG*	100	700	7	7
–	200	1400	14	14
–	400	2800	28	28
–	1000	7000	70	70

\*Metric Reads -100 kPa 76 CM/HG -1 Bar

SMX-2/15



	A*	B	C	J	K	M	N	O	R	S	T NPT	Wsq
mm	114	103 <sup>1</sup>	82	6.0	38	148	136.5	141	25	12.5	–	22
in	4.5	4.06 <sup>1</sup>	3.23	0.24	1.505	5.83	5.37	5.55	0.98	0.49	1/2"	0.87

A\* - Nominal Size. 1 - Gauges with 1/4" NPT connection – dimension changes to 97mm (3.81 in.).