

# WEISS INSTRUMENTS

Remote Reading  
Direct Mount

Light Powered Digital Thermometers

BiMetal Stem 1/4" ASME B40.3  
Vapor Stem 7/16" ASME B40.4  
Gas Stem 3/8" ASME B40.4



Weiss Instruments is pleased to introduce our new products. They are the digital versions of our most popular 5VBM Bimet Thermometer, V Series Vapor Dial and G Series Gas Dial Thermometers. The case, stem and thermal system configurations are the same or better except with light powered digital display. They can be considered direct replacements for existing installations and a more modern alternative for new requirements.

Weiss Instruments has been actively engaged in the design, development and manufacture of light powered digital thermometers and pressure gauges for decades. These latest products are a continuation of our lineup of the finest Digital Instruments.

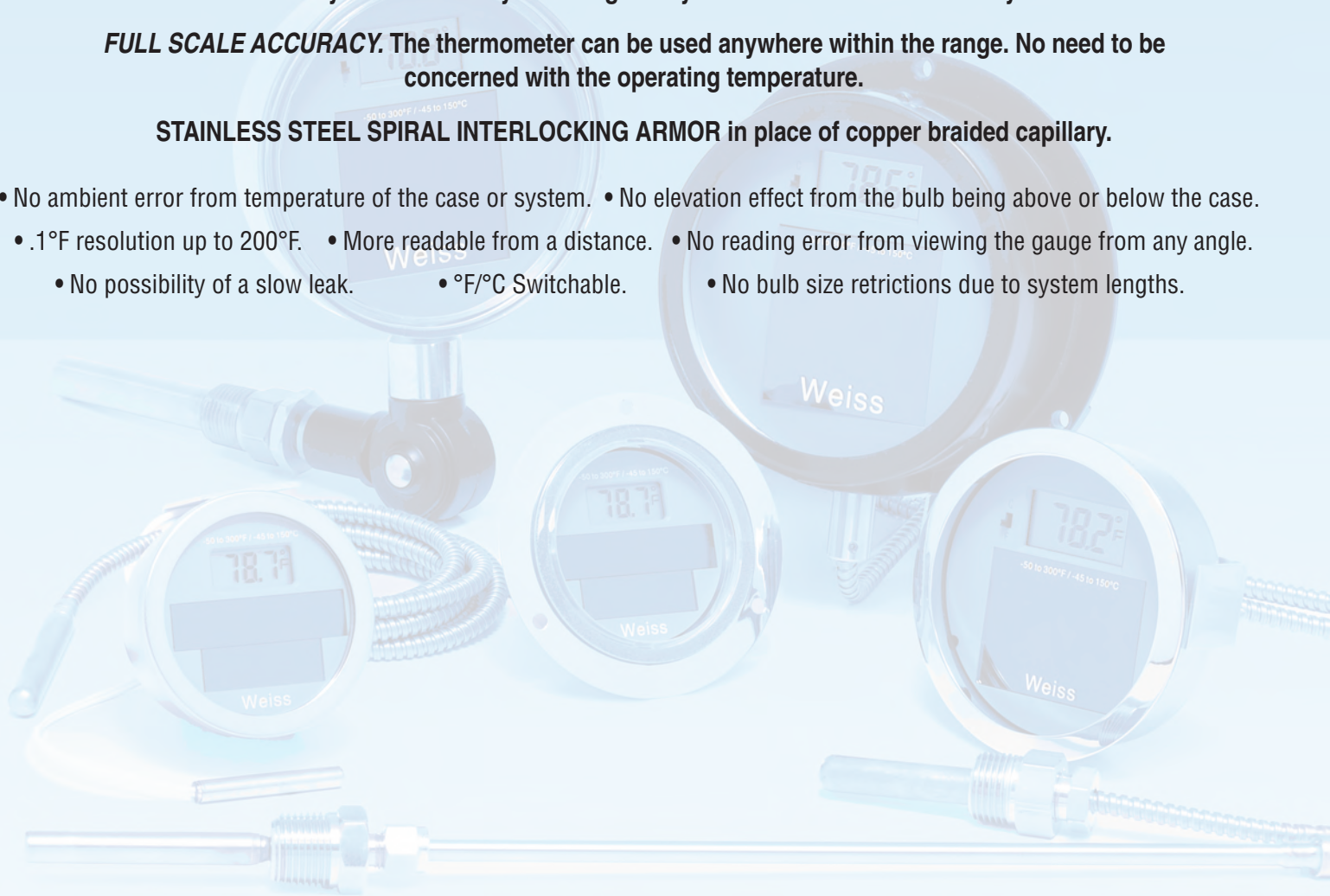
- *Bimetal Type Vari-angle with bimetal and industrial type stems. Both come in the same hermetically sealed case suitable for outdoor use.*
- *Vapor Type Dial Thermometers ranging in size from 2 1/2" to 4 1/2".*
- *Gas Type Dial Thermometers available in 3 1/2" and 4 1/2".*

**ALL INCLUSIVE RANGE (-50/300°F -45/150°C).** That means that ordering by range is no longer necessary. Order by dial size and system length only. Less items . . . less inventory.

**FULL SCALE ACCURACY.** The thermometer can be used anywhere within the range. No need to be concerned with the operating temperature.

**STAINLESS STEEL SPIRAL INTERLOCKING ARMOR** in place of copper braided capillary.

- No ambient error from temperature of the case or system.
- No elevation effect from the bulb being above or below the case.
- .1°F resolution up to 200°F.
- More readable from a distance.
- No reading error from viewing the gauge from any angle.
- No possibility of a slow leak.
- °F/°C Switchable.
- No bulb size restrictions due to system lengths.



# Light Powered Digital Vari-angle Thermometers - Bimetal Type



- CASE SIZE & MATERIAL** - 5" Hermetically Sealed St.St.
- RANGE** -50 to 300°F (-45 to 150°C) with F/C switch
- ACCURACY** - 1%
- WINDOW** - Glass / Acrylic / Shatterproof Glass
- LUX RATING** - 10 Lux (one foot candle)
- DISPLAY** - 1/2" LCD Digits
- RESOLUTION** - 0.1°F between -19.9/199.9°F (-20/93°C)
- AMBIENT OPERATING** -30/140°F (-35/60°C)
- AMBIENT TEMPERATURE ERROR** - Zero
- SENSOR** - Glass Passivated Thermistor
- RESET** - Internal Potentiometer
- STEM** - Bimetal: 1/4" Diameter with Fixed 1/2" NPT  
Ind. Glass: 7/16" Tapered with 1 1/4"-18 jam nut
- CONFORMANCE** - ASME B40.3

© Vari-angle is a registered trademark of Weiss Instruments, Inc.

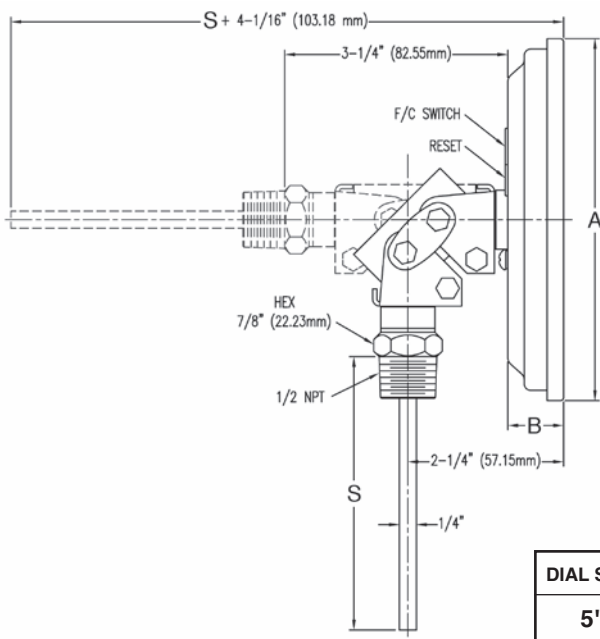
5" DIAL BIMETAL STEM		
Catalog No. 5" Vari-angle	Stem Length (incl. thread)	NPT
5DVBM25	2 1/2"	1/2"
5DVBM4	4"	1/2"
5DVBM6	6"	1/2"
5DVBM9	9"	1/2"
5DVBM12	12"	1/2"

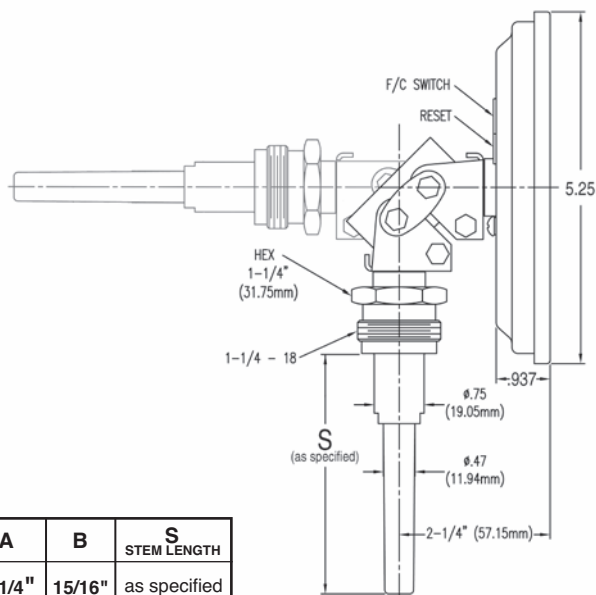
5" DIAL IND. GLASS STEM		
Catalog No. 5" Vari-angle	Stem Length (incl. thread)	Thread
5DVU35	3 1/2"	1-1/4 - 18
5DVU6	6"	1-1/4 - 18
5DVU9	9"	1-1/4 - 18
5DVU12	12"	1-1/4 - 18

Safety Glass option available

5DVBM BiMetal Stem



5DVU35 Industrial Glass Stem



# Light Powered Digital Thermometers - Vapor Type

CODE	CATALOG NO.	DESCRIPTION																															
I	DV25	<b>CASE SIZE</b> 2 1/2" Case 3 1/2" Case 4 1/2" Case																															
	DV35																																
	DV45																																
II	F	<b>CASE TYPE</b> <b>Case Size</b> Front Flange, Flush Mount 21/2" U Clamp, Flush Mount 21/2" Back Flange, Surface Mount 21/2", 31/2", 41/2" Frt Flange, Bayonet Ring, Semi-Flush Mnt. 31/2" U Clamp, Semi-Flush Mount 31/2" U Clamp, Flush Mount 31/2" Vari-angle,® Direct Mount 31/2", 41/2" Semi-flush, Panel Mount 31/2", 41/2" Back Flange, Bayonet Ring, Stl. Steel 31/2", 41/2" Adjustable Bracket, Remote Mnt, Stl. Steel 31/2", 41/2"																															
	U																																
	B																																
	S																																
	J																																
	Q																																
	V																																
	R																																
	K																																
	Z																																
	III		A	<b>CASE CONNECTION</b> Adjustable Back Connection Lower Connection																													
B																																	
L																																	
IV	3	<b>CASE WINDOW</b> Snap in Lexan with "O" Ring (F,U,Q,V,B,R) Stainless Steel Ring & Glass (21/2" U,F - 31/2" J,K,S) Chrome Plated Brass, Glass (Q case only) Crimped Ring, Stl. Steel, Plastic or Glass - Waterproof (U) Threaded One Piece Lexan (F, U)																															
	4																																
	5																																
	8																																
	9																																
V	0	<b>THERMAL SYSTEM</b> <table border="1"> <thead> <tr> <th>Bulb Type</th> <th>Bulb Material</th> <th>Wire Protection</th> <th>Max System Length</th> </tr> </thead> <tbody> <tr> <td>Union</td> <td>Copper</td> <td>(Vari-angle only)</td> <td>—</td> </tr> <tr> <td>Plain</td> <td>Copper</td> <td>None(Wire)</td> <td>5 Ft.</td> </tr> <tr> <td>Plain</td> <td>316 S.S.</td> <td>Interlock Armor</td> <td>25Ft.</td> </tr> <tr> <td>Union</td> <td>Copper</td> <td>Interlock Armor</td> <td>25Ft.</td> </tr> <tr> <td>Union</td> <td>316 S.S.</td> <td>Interlock Armor</td> <td>25Ft.</td> </tr> </tbody> </table>	Bulb Type	Bulb Material	Wire Protection	Max System Length	Union	Copper	(Vari-angle only)	—	Plain	Copper	None(Wire)	5 Ft.	Plain	316 S.S.	Interlock Armor	25Ft.	Union	Copper	Interlock Armor	25Ft.	Union	316 S.S.	Interlock Armor	25Ft.							
	Bulb Type		Bulb Material	Wire Protection	Max System Length																												
	Union		Copper	(Vari-angle only)	—																												
	Plain		Copper	None(Wire)	5 Ft.																												
	Plain		316 S.S.	Interlock Armor	25Ft.																												
	Union		Copper	Interlock Armor	25Ft.																												
Union	316 S.S.	Interlock Armor	25Ft.																														
1																																	
3																																	
4																																	
6																																	
VI	1	<b>BULB SELECTION</b> <table border="1"> <thead> <tr> <th rowspan="2">Thermal System Union Conn.</th> <th colspan="2">Thermal System Plain Bulb</th> <th rowspan="2">Max. System Len.</th> </tr> <tr> <th>Dia.</th> <th>Length</th> </tr> </thead> <tbody> <tr> <td>7/16</td> <td>2.5"</td> <td>N.A.</td> <td>N.A.</td> <td>25Ft.</td> </tr> <tr> <td>7/16</td> <td>3.4"</td> <td>3/8</td> <td>3.4</td> <td>25Ft.</td> </tr> <tr> <td>7/16</td> <td>5.4"</td> <td>3/8</td> <td>4.9</td> <td>25Ft.</td> </tr> <tr> <td>N.A.</td> <td>N.A.</td> <td>3/8</td> <td>2.5</td> <td>25Ft.</td> </tr> <tr> <td>N.A.</td> <td>N.A.</td> <td>1/4</td> <td>1.8</td> <td>5Ft.</td> </tr> </tbody> </table>	Thermal System Union Conn.	Thermal System Plain Bulb		Max. System Len.	Dia.	Length	7/16	2.5"	N.A.	N.A.	25Ft.	7/16	3.4"	3/8	3.4	25Ft.	7/16	5.4"	3/8	4.9	25Ft.	N.A.	N.A.	3/8	2.5	25Ft.	N.A.	N.A.	1/4	1.8	5Ft.
	Thermal System Union Conn.			Thermal System Plain Bulb			Max. System Len.																										
			Dia.	Length																													
	7/16		2.5"	N.A.	N.A.	25Ft.																											
	7/16		3.4"	3/8	3.4	25Ft.																											
	7/16		5.4"	3/8	4.9	25Ft.																											
	N.A.		N.A.	3/8	2.5	25Ft.																											
N.A.	N.A.	1/4	1.8	5Ft.																													
2																																	
3																																	
6																																	
8*																																	
VII	1	<b>PROCESS CONNECTION FITTING</b> Union Connection 1/2" NPT Union Connection 3/4" NPT Separable Socket 1/2" NPT Separable Socket 3/4" NPT Air Duct Flange, Union Conn., Aluminum only Plain bulb, no fitting *N Nickel-Plated Brass *S Stainless Steel																															
	2																																
	3																																
	4																																
	7																																
	9																																
	*N																																
*S																																	
VIII	1	<b>PROCESS CONNECTION MATERIAL</b> Brass 304 Stainless Steel 316 Stainless Steel Aluminum (Air Duct Flange only) None – Plain Bulb *B Brass *S Stainless Steel *only with No. 8 Bulb.																															
	2																																
	3																																
	5																																
	0																																
	*B																																
	*S																																
IX		<b>SYSTEM LENGTH SPECIFYING</b> 9A - Use 2 digits: EX. 05, 10, 25 for length required. 9B - Use FT for feet.																															

**CASE SIZES** - 2 1/2", 3 1/2", 4 1/2" Stainless Steel  
**RANGE** -50 to 300°F (-45 to 150°C) with F/C switch  
**ACCURACY** - 1%

**WINDOW** - Acrylic / Glass

**LUX RATING** - 10 Lux (one foot candle)

**DISPLAY** - 1/2" LCD Digits

**STEM** - 7/16" Diameter 5/8"-18 Jam Nut for NPT fittings  
3/8" Diameter for Plain bulbs

**RESET** - Internal Potentiometer

**RESOLUTION** - 1/10% between -19.9/199.9°F (-20/93°C)

**AMBIENT OPERATING** -30/140°F (-35/60°C)

**AMBIENT TEMPERATURE ERROR** - Zero

**SENSOR** - Glass Passivated Thermistor

**CONFORMANCE** - ASME B40.4



DV45VA3 - Vari-angle, Direct Mount

DV45BL3 - Back Flange, Lower Mnt.



DV45BB3 - Back Flange, Back Mount



DV45RB3 - Semi-flush, Panel Mnt.



DV35QB5 - U-Clamp, Panel Mount



# Light Powered Digital Thermometers - Gas Type

CODE	CATALOG NO.	DESCRIPTION																										
I	DG35 DG45	<b>CASE SIZE</b> 3 1/2" Case 4 1/2" Case																										
II	B E F S U V K	<b>CASE TYPE &amp; MATERIAL</b> Back Flange, Aluminum - 4 1/2" only Turret, Polypropylene* - 4 1/2" only Front Flange, Aluminum - 4 1/2" only Front Flange, Semi Flush, Bayonet Ring, St. St. - 3 1/2", 4 1/2" U-Clamp, Bayonet Ring, Stainless Steel - 4 1/2" only Vari-angle,® Stainless Steel - 4 1/2" only Back Flange, Bayonet Ring, St. St. - 3 1/2", 4 1/2"  *Flush Mounting Ring available as Accessory																										
III	B L A	<b>CASE CONNECTION</b> Back Connection Lower Connection - (Not available on 3 1/2" K Case) Adjustable																										
IV	3 4 5	<b>CASE WINDOW</b> Acrylic Glass Shatterproof Glass - 4 1/2" only																										
V	0 1 X	<b>THERMAL SYSTEM</b> <table border="1"> <thead> <tr> <th>Bulb Type</th> <th>Bulb Material</th> <th>Capillary Material</th> <th>Capillary Protection</th> </tr> </thead> <tbody> <tr> <td>Vari-angle</td> <td>316 S.S.</td> <td>—</td> <td>—</td> </tr> <tr> <td colspan="4">(Furnished with 1/2" NPT S.S. Swivel)</td> </tr> <tr> <td>Plain</td> <td>316 S.S.</td> <td>316 S.S.</td> <td>S.S. Spiral Armor</td> </tr> <tr> <td>Sliding Union</td> <td>316 S.S.</td> <td>316 S.S.</td> <td>S.S. Spiral Armor</td> </tr> </tbody> </table>	Bulb Type	Bulb Material	Capillary Material	Capillary Protection	Vari-angle	316 S.S.	—	—	(Furnished with 1/2" NPT S.S. Swivel)				Plain	316 S.S.	316 S.S.	S.S. Spiral Armor	Sliding Union	316 S.S.	316 S.S.	S.S. Spiral Armor						
Bulb Type	Bulb Material	Capillary Material	Capillary Protection																									
Vari-angle	316 S.S.	—	—																									
(Furnished with 1/2" NPT S.S. Swivel)																												
Plain	316 S.S.	316 S.S.	S.S. Spiral Armor																									
Sliding Union	316 S.S.	316 S.S.	S.S. Spiral Armor																									
VI	1  4 6 9 X	<b>BULB SELECTION</b> <b>Plain Bulb - Remote</b> Dia. Length 3/8 2.5" (Active) + 10" Rigid Ext.  <b>Vari-angle bulb</b> Dia. Length To fit Thermowell with: OA Len. U Insertion <table border="1"> <tbody> <tr> <td>3/8</td> <td>4"</td> <td>4.25"</td> <td>2.5"</td> </tr> <tr> <td>3/8</td> <td>6"</td> <td>6.25"</td> <td>4.5"</td> </tr> <tr> <td>3/8</td> <td>9"</td> <td>9.25"</td> <td>7.5"</td> </tr> <tr> <td>3/8</td> <td>12"</td> <td>12.25"</td> <td>10.5"</td> </tr> </tbody> </table> <b>Sliding union connection bulb with bendable extension</b> Dia. Length Ext. Insertion Len. Union Thermowell - U <table border="1"> <tbody> <tr> <td>3/8</td> <td>2.5"(Active)</td> <td>12"</td> <td>3 to 12"</td> <td>2.5 to 10.5"</td> </tr> <tr> <td>3/8</td> <td>2.5"(Active)</td> <td>18"</td> <td>3 to 18"</td> <td>2.5 to 16.5"</td> </tr> </tbody> </table>	3/8	4"	4.25"	2.5"	3/8	6"	6.25"	4.5"	3/8	9"	9.25"	7.5"	3/8	12"	12.25"	10.5"	3/8	2.5"(Active)	12"	3 to 12"	2.5 to 10.5"	3/8	2.5"(Active)	18"	3 to 18"	2.5 to 16.5"
3/8	4"	4.25"	2.5"																									
3/8	6"	6.25"	4.5"																									
3/8	9"	9.25"	7.5"																									
3/8	12"	12.25"	10.5"																									
3/8	2.5"(Active)	12"	3 to 12"	2.5 to 10.5"																								
3/8	2.5"(Active)	18"	3 to 18"	2.5 to 16.5"																								
VII		<b>SYSTEM LENGTH SPECIFYING</b> 9A - Use 2 digits: EX. 05, 10, 25 for length required. 9B - Use FT for feet.																										

**CASE SIZES** - 3 1/2" and 4 1/2"

**RANGE** -50 to 300°F (-45 to 150°C) with F/C switch

**ACCURACY** - 1%

**WINDOW** - Acrylic / Glass / Shatterproof Glass

**LUX RATING** - 10 Lux (one foot candle)

**DISPLAY** - 1/2" LCD Digits

**RESOLUTION** - 1/10% between -19.9/199.9°F (-20/93°C)

**AMBIENT OPERATING** -30/140°F (-35/60°C)

**AMBIENT TEMPERATURE ERROR** - Zero

**SENSOR** - Glass Passivated Thermistor

**RESET** - Internal Potentiometer

**STEM** - 3/8" Diameter

Sliding Union (1/2" NPT) on bendable extension

Direct Mount Vari-angle (1/2" NPT)

Plain bulbs

**CONFORMANCE** - ASME B40.4

DG45BL4

Back Flange, Surface Mount, Aluminum



DG45UB4

U-Clamp, Bayonet Ring, St. St.



DG45KB4

Back Flange, Bayonet Ring, St. St.



DG45VA4 - Vari-angle, St. St.



# Light Powered NSF Remote Reading Thermometers

## 25SD



<b>CASE:</b>	1" x 4" Surface Mounting, Black or White
<b>MASK:</b>	Black or Silver Mask / Custom logo on request
<b>RANGE:</b>	40-0-160°F or 40-0-70°C factory set
<b>DISPLAY:</b>	3/8" LCD
<b>LIGHT RATING:</b>	30 Lux to 50,000 Lux
<b>SENSOR LENGTH:</b>	3 Ft. or 5 Ft.
<b>ENVIRONMENT:</b>	Splash Proof (optional black or white gasket)
<b>ACCURACY:</b>	NSF Accuracy for food zone applications. (±2°F between -20 to +60°F)

## 56SD



<b>CASE:</b>	2" Round Back (56mm Square Front)
<b>MOUNTING:</b>	Front Flange or U-Clamp
<b>RANGE:</b>	40-0-230°F and 40-0-110°C (field switchable)
<b>DISPLAY:</b>	3/8" LCD (1/10° display up to 200°F)
<b>LIGHT RATING:</b>	15 Lux to 50,000 Lux
<b>SENSOR LENGTH:</b>	3 Ft. or 5 Ft.
<b>ENVIRONMENT:</b>	Waterproof from Front
<b>OPTIONS:</b>	U-Clamp Case, Model 56SD-U
<b>ACCURACY:</b>	NSF Accuracy for food zone applications. (1% of reading ±1°F or ±.5°C)

## 72SD



<b>CASE:</b>	2 1/2" Round Back (72mm Square Front)
<b>MOUNTING:</b>	Front Flange or U-Clamp
<b>RANGE:</b>	40-0-160°F or 40-0-70°C, factory set
<b>DISPLAY:</b>	1/2" LCD - 1/10° display
<b>LIGHT RATING:</b>	30 Lux to 50,000 Lux
<b>SENSOR LENGTH:</b>	3 Ft. or 5 Ft.
<b>ENVIRONMENT:</b>	Splash Proof (optional gasket)
<b>OPTIONS:</b>	U-Clamp Case, Model 72SD-U
<b>ACCURACY:</b>	NSF Accuracy for food zone applications. (±2°F between -20 to +60°F)

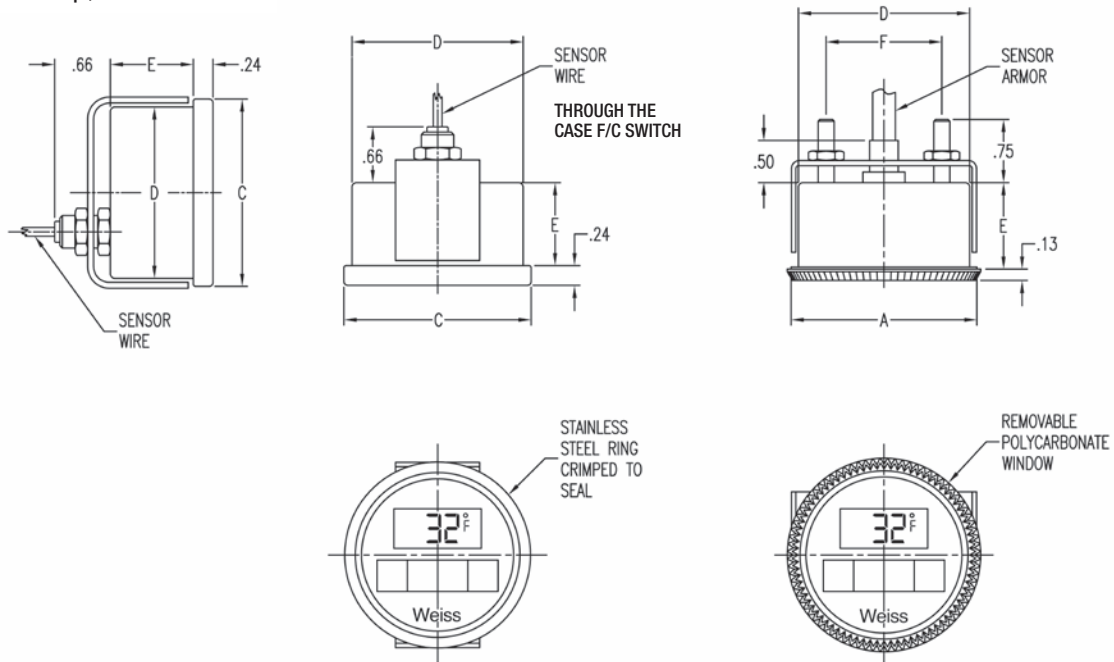
## 20SD



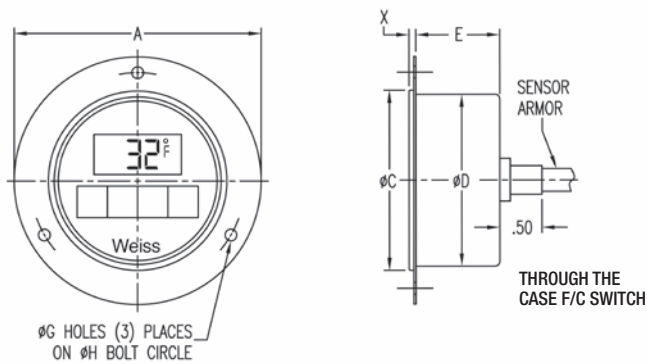
<b>CASE:</b>	2" Round, Stainless Steel
<b>RANGE:</b>	40-0-160°F or 40-0-70°C, factory set
<b>DISPLAY:</b>	3/8" LCD
<b>LIGHT RATING:</b>	50 Lux to 50,000 Lux
<b>BATTERY ASSIST:</b>	15 LUX @ 10 years
<b>SENSOR LENGTH:</b>	3 Ft. or 5 Ft.
<b>ENVIRONMENT:</b>	Splash Proof from the Front
<b>ACCURACY:</b>	NSF Accuracy for food zone applications. (±2°F between -20 to +60°F)

# Digital Vapor Type Dimensions - 2 1/2"

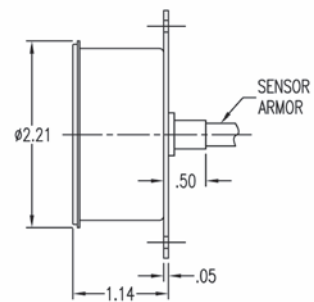
## U-Clamp, Panel Mount



## Front Flange, Panel Mount



## Back Flange, Panel Mount

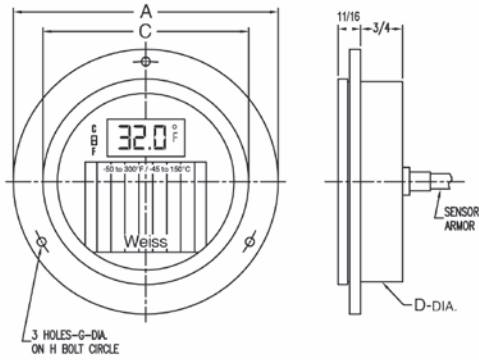


## Case Dimensions

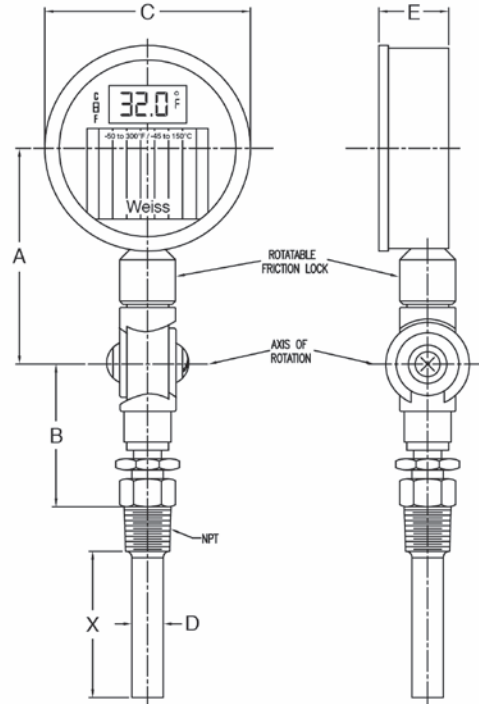
CASE SIZE	CASE TYPE	CODE I	FLGE DIA. A	RING O.D. C	PANEL HOLE B	DIA. D	E	F	G	H	X CASE FRONT CODE IV		
											4	3	5
2-1/2"	U-CLAMP	DV25U	2.812	2.875	2.609	2.562	1.0	2.0	-	-	.187	.25	-
2-1/2"	FRONT FLGE	DV25F	3.687	2.875	2.609	2.562	1.0	-	.171	3.312	.187	.25	-
2-1/2"	FRONT FLGE	DV25S	3.687	2.875	2.656	2.640	.750	-	.171	3.312	.375	-	-

# Digital Vapor Type Dimensions - 3 1/2" and 4 1/2"

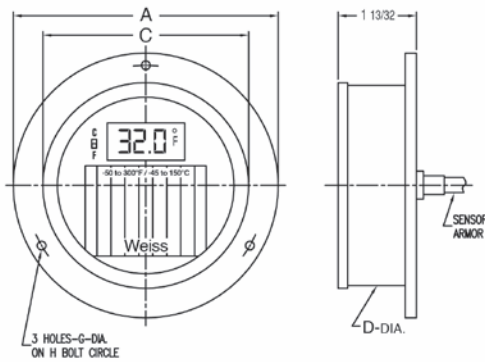
DV35RB3 - Semi Flush, Panel Mount



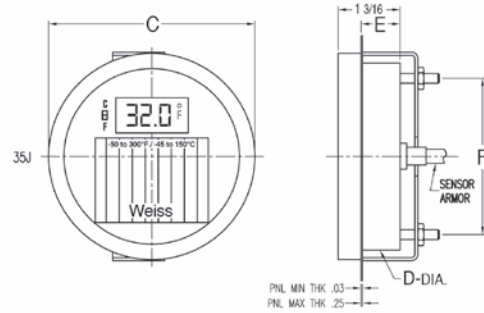
DV45VA - Vari-angle, Direct Mount



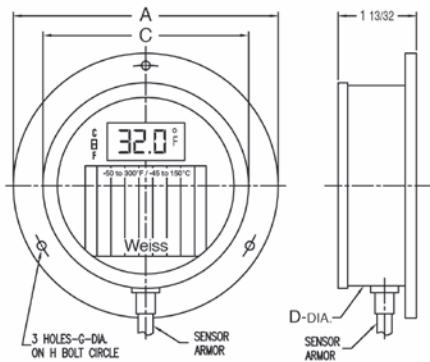
DV35BB3 - Surfacer Mount, Back Conn.



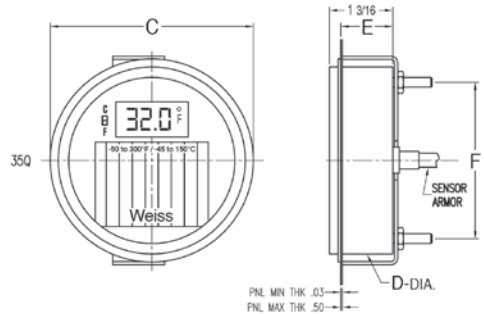
DV35JB4 - U-Clamp, Semi Flush Mount



DV35BL3 - Surfacer Mount, Bottom Conn.



DV35QB3 - U-Clamp, Semi Flush Mount

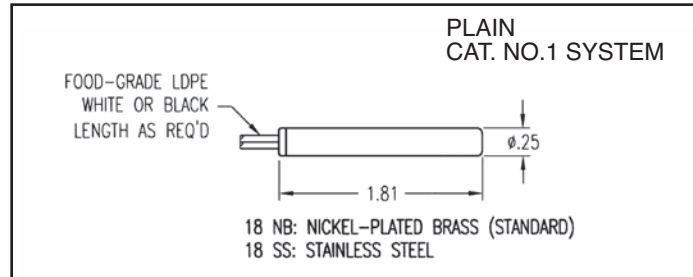
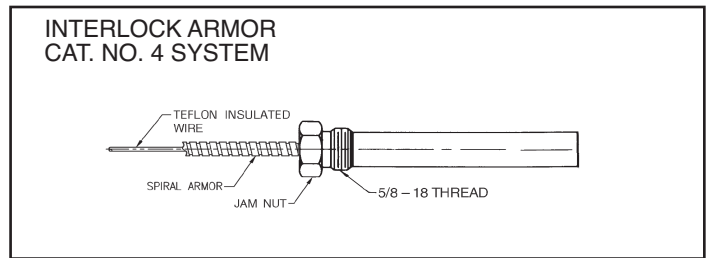
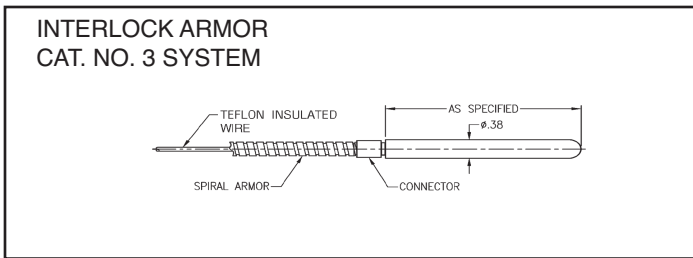


CASE SIZE	CASE TYPE	CODE I	FLGE DIA. A	RING O.D. C	PANEL HOLE B	DIA. D	E	F	G	H	X CASE FRONT CODE IV		
											4	3	5
3-1/2"	FRONT FLGE	DV35S	4.75	3.96	3.62	3.59	.75	-	.15	4.31	.43	-	-
3-1/2"	FRONT FLGE	DV35K	4.75	3.96	-	3.59	-	-	.15	4.31	-	-	-
3-1/2"	U-CLAMP	DV35J	-	3.96	3.62	3.59	.75	3.00	-	-	.43	-	-
3-1/2"	U-CLAMP	DV35Q	-	3.90	3.62	3.59	1.0	3.00	-	-	-	-	.125
3-1/2"	VARI-ANGLE	DV35V	3.87	3.68	2.56	.562	1.25	-	-	-	-	-	-
4-1/2"	FRONT FLGE	DV45B	5.87	4.68	4.62	4.59	-	-	.21	5.37	-	-	.125
4-1/2"	VARI-ANGLE	DV45V	4.37	4.68	2.56	.562	1.25	-	-	-	-	-	-

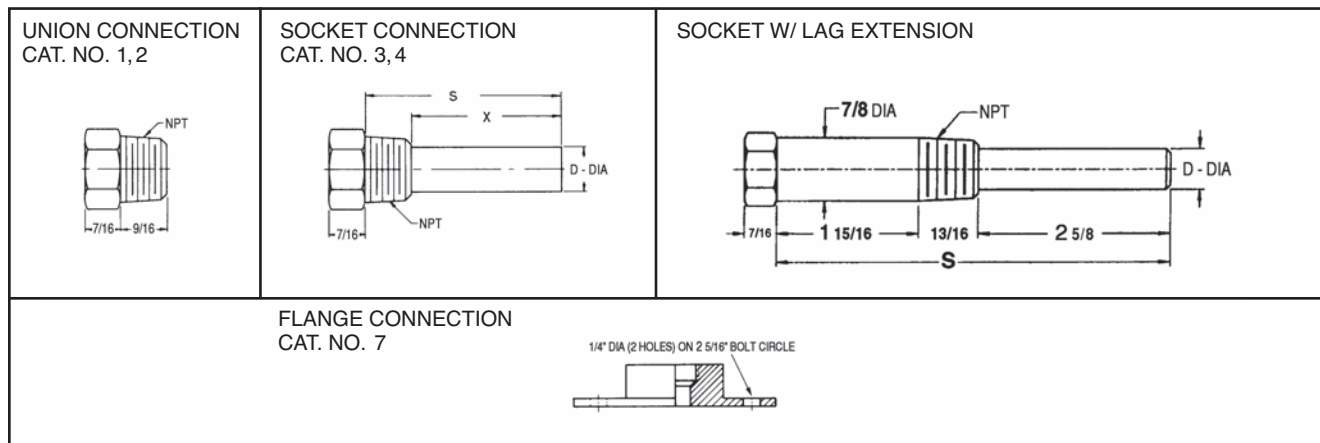


# Vapor Type Thermal Systems & Bulb Selection

## Bulb Selection - Code V



## Process Connection Fittings - Code VII



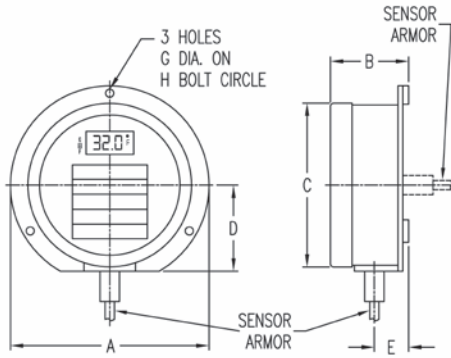
## Bulb Dimensions

BULB NO. (CODE VI)	PLAIN CONNECTION		UNION CONNECTION			SOCKET CONNECTION			FLANGE CONNECTION	
	L	D	X	S	D	X	S	D	X	D
1	N/A	N/A	1-13/16	2-3/8	7/16	1-15/16	2-1/2	9/16	2-3/16	7/16
2	3-7/16	3/8	2-5/8	3-3/8	7/16	2-5/8	3-3/8	9/16	3	7/16
6	2-1/2	3/8	N/A	N/A	N/A	N/A	N/A	N/A	N/A	N/A
8	3	5/16	N/A	N/A	N/A	N/A	N/A	N/A	N/A	N/A

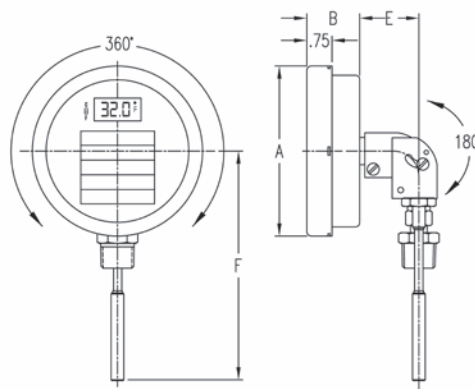
NOTE: "X" for Flange Conn. is the Insertion Length from Tip of Bulb to Face of Flange.

# Digital Gas Type Dimensions

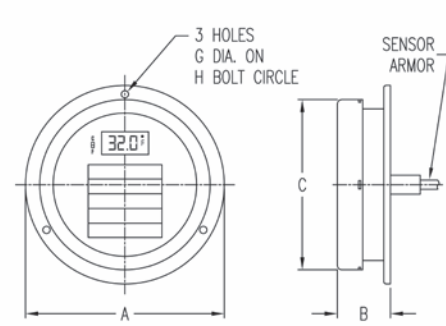
B - Back Flange, Aluminum



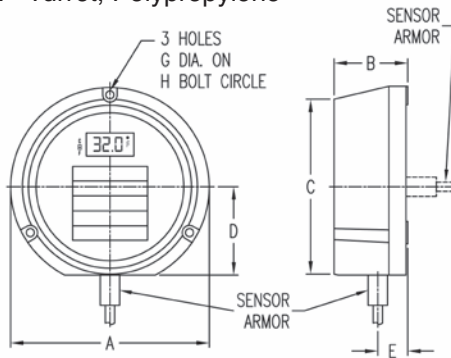
V - Vari-angle, Stainless Steel



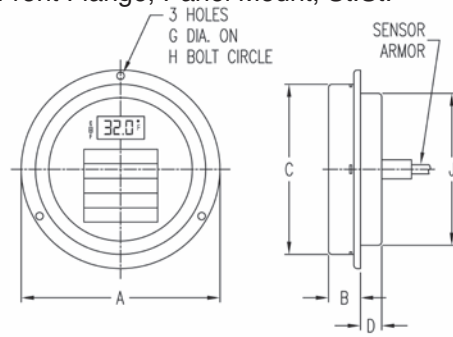
K - Back Flange, Stainless Steel



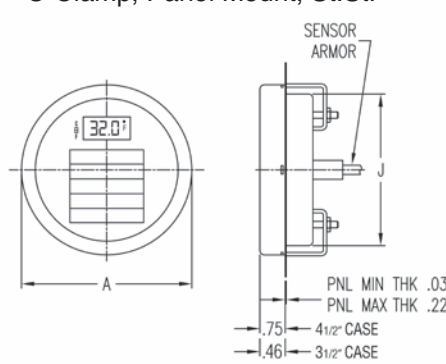
E - Turret, Polypropylene



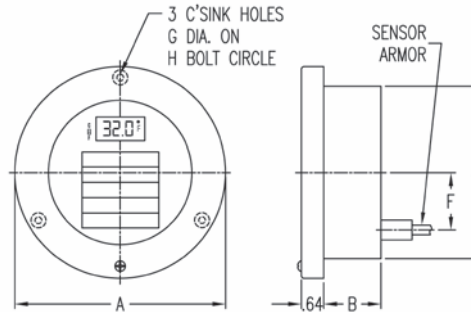
S - Front Flange, Panel Mount, St.St.



U - U-Clamp, Panel Mount, St.St.



F - Front Flange, Hinged Ring, Aluminum

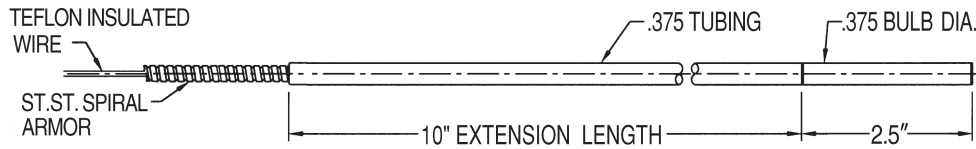


## CASE DIMENSIONS

CASE SIZE	CASE TYPE	CODE I & II	FLGE DIA. A	B	RING O.D. C	D	E	F	G	H	J
3 1/2"	Front Flange	DG35S	4.78	.40	3.95	.80	—	—	.16	4.31	3.60
3 1/2"	U-Clamp	DG35U	3.97	—	—	—	.75	—	—	—	3.60
3 1/2"	Back Flange	DG35K	4.78	1.40	3.97	—	1.0	—	—	4.31	—
4 1/2"	Back Flange	DG45B	5.88	1.57	5.05	—	—	—	.22	5.38	—
4 1/2"	Polypropylene	DG45E	5.83	2.15	5.08	2.62	.875	—	.24	5.39	—
4 1/2"	Front Flange	DG45F	5.88	.94	5.05	.63	—	—	.22	5.38	4.54
4 1/2"	Vari-angle	DG45V	5.04	1.57	—	—	1.75	6.81	—	—	—
4 1/2"	Front Flange	DG45S	5.88	.94	5.05	.63	—	—	.22	5.38	4.54
4 1/2"	U-Clamp	DG45U	5.05	—	—	—	—	—	—	—	4.54
4 1/2"	Back Flange	DG45K	5.88	1.57	5.05	—	—	—	.22	5.38	—

# Gas Type Thermal Systems & Bulb Selection

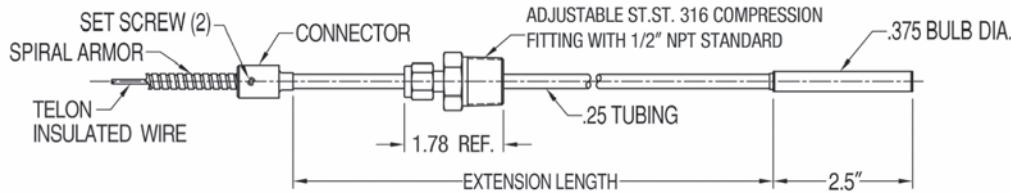
## THERMAL SYSTEM & BULB SELECTION – CODE V-VI



**PLAIN BULB**

SYSTEM CODE	BULB TYPE	BULB MAT'IAL	CAPILLARY PROTECTION
1	1	Plain	316 S.S.

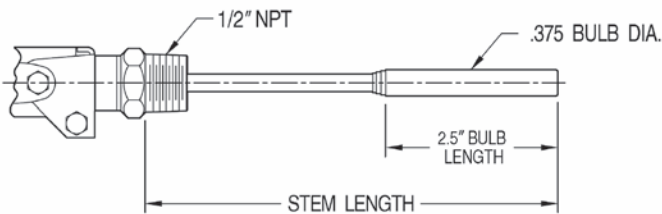
## SLIDING UNION - BENDABLE EXTENSION



SYSTEM CODE	EXT. LENGTH	INSERTION U		
		UNION	T-WELL	
X	7	12"	2.5 to 12"	2.5 to 10.5"
X	8	18"	2.5 to 18"	2.5 to 16.5"

Thermowell is required for this Bulb Assy.

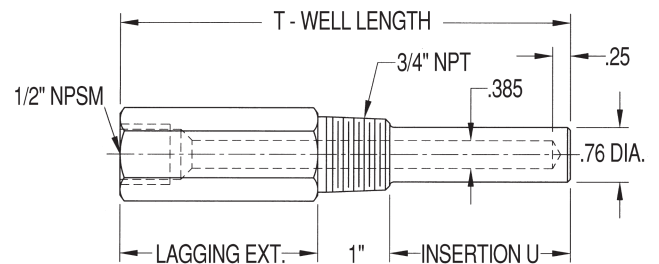
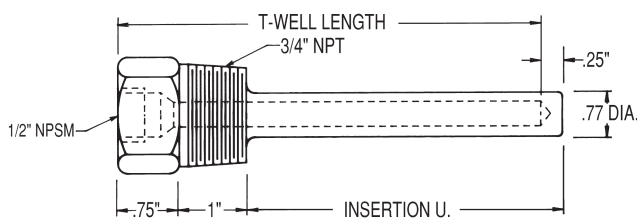
## VARI-ANGLE



SYSTEM CODE	STEM LENGTH	INSERTION U		
		UNION	T-WELL	
0	4	4"	3.4"	2.5"
0	6	6"	5.6"	4.5"
0	9	9"	8.4"	7.5"
0	X	12"	11.4"	10.5"
0	Y	15"	13.4"	13.5"
0	Z	18"	16.4"	16.5"

Thermowell is recommended for this Bulb Assy.

## PROCESS CONNECTION FITTINGS



THERMOWELLS WITHOUT LAGGING EXTENSION				THERMOWELLS WITH LAGGING EXTENSION				
CATALOG NO.*	T-WELL LENGTH	STEM LGTH.	INSERTION U	CATALOG NO.*	T-WELL LENGTH	STEM LGTH.	LAG. EXT.	INSERTION U
GT004-75	4.25"	4"	2.5"	GT206-75	6.25"	6"	2.75"	2.5"
GT006-75	6.25"	6"	4.5"	GT309-75	9.25"	9"	3.75"	4.5"
GT009-75	9.25"	9"	7.5"	GT312-75	12.25"	12"	3.75"	7.5"
GT012-75	12.25"	12"	10.5"					

\*Complete Catalog No. is obtained by adding 5 character designation for Thermowell Material. Ex: GT004-75-BRASS  
 NOTE: also available in 1/2" and 1" NPT  
 GT006-75-304SS  
 GT009-75-316SS

Send for Weiss Literature to match your specific application.



IND-3/08

BM-3/08

V-1/10

GD-6/05

SPD-8/17



SG-9/08

SSG-9/13

SMX-10/12

HVAC-11/10

PHC-1/15

**WEISS INSTRUMENTS, INC.**  
905 WAVERLY AVE., HOLTSVILLE, NY 11742  
TEL: 631-207-1200 • FAX: 631.207.0900  
[www.weissinstruments.com](http://www.weissinstruments.com)

Distributed by:



**A Quality Commitment • Since 1882**  
**Sales Representatives in all Principal Cities**