

WEISS INSTRUMENTS
20DT DIGITAL THERMOMETER
INSTALLATION AND OPERATING
INSTRUCTIONS

⚠ PLEASE READ THIS MANUAL FULLY!

- This manual is part of the product and should be kept near the device for easy and quick reference.

1. GENERAL DESCRIPTION

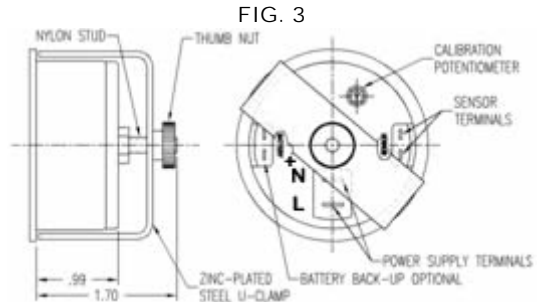
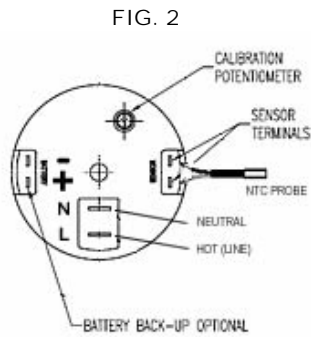
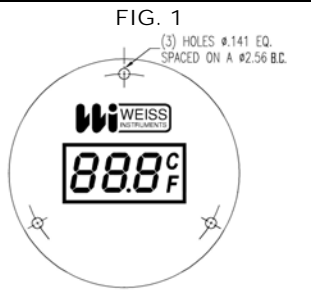
The 20DT is an electronic digital thermometer which displays the current temperature and also logs the maximum and minimum temperatures experienced. With the use of an Optional momentary switch the min. / max. temperatures can be displayed at the touch of a button and reset if required. (Switch sold separately) A 9 Volt battery can supply backup power for temperature readings when there is a blackout. (Battery bracket and harness sold separately)

2. INSTALLATION

The instrument is equipped with fast-on type spade terminals with probe connections separated from the power supply connections. To install the instrument proceed as follow:

1. Make a 2.04 inch round hole in the panel.
2. a) **If the model is flanged with three screw holes** space the holes on the panel as seen in (FIG.1). Then use # 6 sheet metal screws to hold the thermometer in the panel.
 b) **If the model is U-Clamp mounted** slide the U-Clamp over the nylon stud and use the thumb nut to tighten the thermometer to the panel (FIG.3).
3. Place the probe where it has to measure the temperature. Be sure to leave slack so as to have some strain relief. Probe bulb should have the end up vertically or on at least a slight angle to try to prevent water intrusion into the sensor. Were a sharp bend is required try to loop the probe wire in a 1 1/2 "circle.
4. Connect the probe terminals to the two small (.110 inch) fast-ons as indicated.
5. **Connect the power supply cables to the large (.250 inch) fast-ons. (N or NEUTRAL) to the fast-on on the top and (L OR HOT) to the fast-on on the bottom. SEE fig.2**

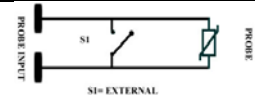
3. DRAWINGS



4. ALARM DISPLAY

MESSAGE	CAUSE
PO	OPEN PROBE OR SWITCH CLOSED
LO	LO TEMP RECORDED
HI	HI TEMP RECORDED
rE	RECORDED TEMP IS RESET
P1	NO PROBE CONNECTED

5. OPTIONAL SWITCH WIRING FOR MIN / MAX



To use the optional momentary switch to view low and high temperatures you have to wire the switch in parallel with the probe. When the switch is open the thermometer will display the current temperature. When the switch is held the display will show "PO" Then "LO" followed by the low temperature recorded. Immediately after the display will read "HI" with the recorded high temperature to follow.
 To reset the temperatures stored hold the switch closed through the above procedure until "rE" is displayed.

SAFETY PRECAUTIONS

- Always ensure that the probe is connected to the instrument before the power supply is connected and turned ON.
- *Check the supply voltage is correct before connecting the instrument. Always ensure that the power is connected as directed in fig.2.*
- The instrument is designed for panel mounting and electrical connections must be positioned inside a properly protected board/panel.
- *The probe is double insulated for safety on models with 110V/230V power supply.*
- Do not expose to water or moisture: use the instrument only within the operating limits avoiding sudden temperature changes with high atmospheric humidity to prevent the formation of condensation.
- Warning: disconnect all electrical connections before any kind of maintenance.
- The instrument shall never be opened.
- In case of failure or faulty operation send the instrument back to the distributor or Weiss Instruments (see address) with a detailed description of the fault. Please see the website for warranty information.
- Be sure that the wires for probes and for the power supply are separated and far enough from each other, without crossing and coiling.

20DT_UNIVERSAL_mm_10_19_09_final

WEISS INSTRUMENTS, INC.
 905 WAVERLY AVE.
 HOLTSTVILLE, NY 11742
 PHONE: 631-207-1200
 FAX: 631-207-0900
www.weissinstruments.com
sales@weissinstruments.com