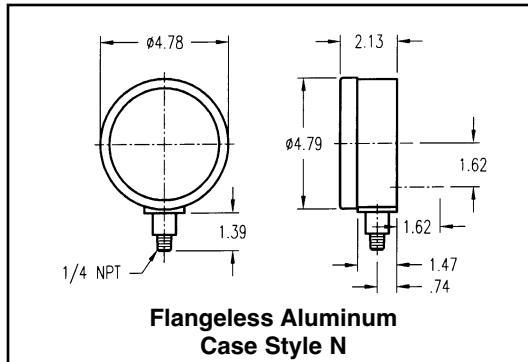
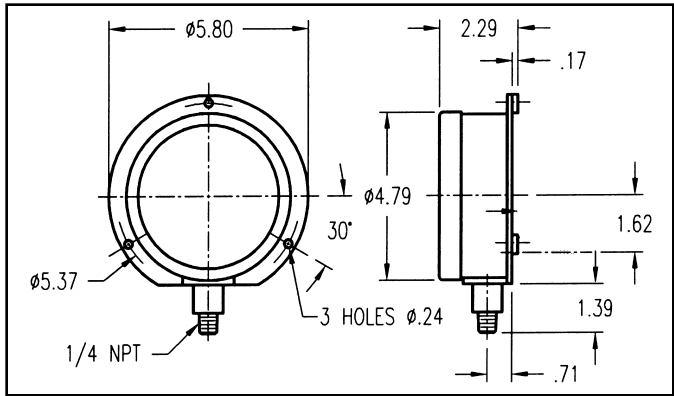


DIAL - White Aluminum, Black Markings
CASE - Back Flange or Flangeless Aluminum equipped with Safety Blow Out Disc
WINDOW - Glass
POINTER - Black Aluminum, Slotted Adjustable
SOCKET - Brass
BOURDON TUBE - Phosphor Bronze C Tube to 1000 psi
CONNECTING JOINTS - Silver Brazed
MOVEMENT - Bushed Brass Rotary
ACCURACY - 1.0% ASME B40.1 Grade 1A
CONNECTIONS - 1/4" or 1/2" NPT, Lower
OPTIONS - Acrylic Window
 Red Set Hand

Back Flange Aluminum - Case Style B



| QTY. | CAT. NO. | DIAL DIA. | CASE STYLE | RANGE | TAG |
|------|----------|-----------|------------|-------|-----|
| | 4PG-1 | 4 1/2" | | | |
| | 4PG-1 | 4 1/2" | | | |
| | 4PG-1 | 4 1/2" | | | |
| | 4PG-1 | 4 1/2" | | | |

| PRESSURE | | | COMPOUND | | |
|----------|-------------|---------------|---------------|---------------|---------------|
| RANGE | GRADUATIONS | FIG. INTERVAL | RANGE | GRADUATIONS | FIG. INTERVAL |
| 0-15 | 0.1 | 1 | 30-0-15 | 0.5" Hg.-0.2p | 5" Hg.-3p |
| 0-30 | 0.2 | 5 | 30-0-30 | 1" Hg.-0.5p | 10" Hg.-5p |
| 0-60 | 0.5 | 5 | 30-0-60 | 1" Hg.-1p | 10" Hg.-10p |
| 0-100 | 1 | 10 | 30-0-100 | 2" Hg.-1p | 10" Hg.-10p |
| 0-160 | 1 | 20 | 30-0-150 | 5" Hg.-2p | 10" Hg.-20p |
| 0-200 | 2 | 20 | 30-0-300 | 5" Hg.-2p | 30" Hg.-25p |
| 0-300 | 2 | 50 | VACUUM | | |
| 0-400 | 5 | 50 | 30"-0 | 0.2" In. Hg. | 5" In. Hg. |
| 0-600 | 5 | 50 | | | |

Dual Scales psi & kPa, psi & bar available.

CUSTOMER _____
 PROJECT _____
 ENGINEER _____
 PRO or P.O. NO. _____



WEISS INSTRUMENTS, INC.
HOLTSVILLE, NEW YORK 11742

DESCRIPTION:

**4 1/2" Industrial Pressure Gauge
Series PG-1**

DRAWN BY: _____ DATE: _____ DRAWING: _____