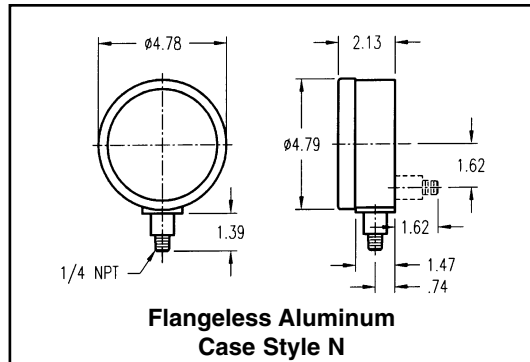
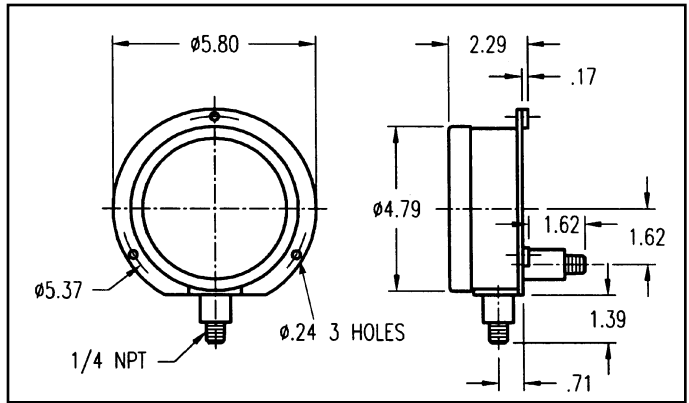


DIAL - White Aluminum, Black Markings
WINDOW - Glass
POINTER -Black Aluminum, Micrometer Adjustable
SOCKET - Brass
BOURDON TUBE - Phosphor Bronze C Tube to 1000 psi
CONNECTING JOINTS - Silver Brazed
MOVEMENT - Bushed Stainless Steel Rotary
ACCURACY - 0.5% ASME B40.1 Grade 2A
CONNECTIONS - 1/4" or 1/2" NPT, Lower or Lower Back
FULL CONFORMANCE FED. SPEC GG-G-76

Back Flange Aluminum - Case Style B



QTY.	CAT. NO.	DIAL DIA.	CASE STYLE	RANGE	TAG
	4UG-1	4 1/2"			
	4UG-1	4 1/2"			
	4UG-1	4 1/2"			
	4UG-1	4 1/2"			

PRESSURE			COMPOUND		
RANGE	GRADUATIONS	FIG. INTERVAL	RANGE	GRADUATIONS	FIG. INTERVAL
0-15	0.1	1	30-0-15	0.5" Hg.-0.2p	5" Hg.-3p
0-30	0.2	5	30-0-30	1" Hg.-0.5p	10" Hg.-5p
0-60	0.5	5	30-0-60	1" Hg.-1p	10" Hg.-10p
0-100	1	10	30-0-100	2" Hg.-1p	10" Hg.-10p
0-160	1	20	30-0-150	5" Hg.-2p	10" Hg.-20p
0-200	2	20	30-0-300	5" Hg.-2p	30" Hg.-25p
0-300	2	50	VACUUM		
0-400	5	50	30"-0	0.2" In. Hg.	5" In. Hg.
0-600	5	50			

CUSTOMER _____
 PROJECT _____
 ENGINEER _____
 PRO or P.O. NO. _____



WEISS INSTRUMENTS, INC.
 HOLTSVILLE, NEW YORK 11742

DESCRIPTION:
4 1/2" Industrial Pressure Gauge Series UG-1

DRAWN BY: _____ DATE: _____ DRAWING: _____