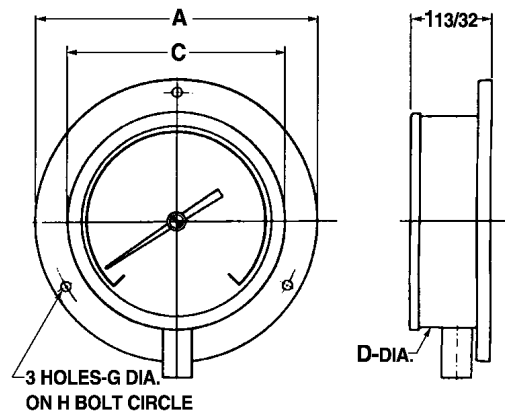


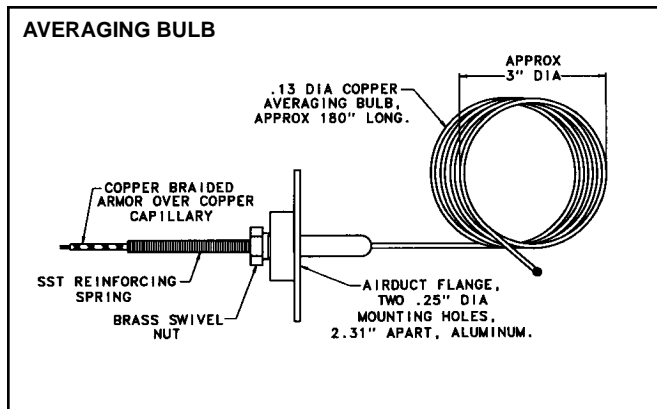
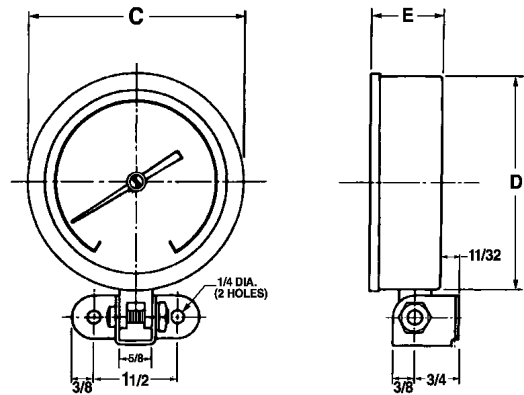
SPECIFICATIONS

DIAL SIZE - 3 1/2 and 4 1/2 inch.
CASE & RING - drawn stainless steel case with snap-in "O" ring gasketed clear lexan.
CASE STYLES - to accommodate wall or panel mounting (as shown).
DIAL - white coated aluminum with black markings.
POINTER - slotted adjustable type.
BOURDON TUBE - phosphor bronze.
THERMAL BULB & LINE ASSEMBLY - copper.
PROCESS CONN. FITTING - air duct flange.
ACCURACY - one scale division throughout range.

BL Case - Wall Mount Bottom Connected



ZL Case - Adjustable Bracket Mount



| DIAL SIZE | A | C | D | E | G | H |
|-----------|-------|---------|---------|-------|------|--------|
| 3 1/2" | 4 3/4 | 3 11/16 | 3 19/32 | 1 1/4 | 5/32 | 4 5/16 |
| 4 1/2" | 5 7/8 | 4 11/16 | 4 19/32 | 1 1/4 | 7/32 | 5 3/8 |

| °F RANGES |
|------------|
| 40-0-110°F |
| 20-0-100°F |
| 0-150°F |
| 0-180°F |
| 40-240°F |
| 30-300°F |
| 100-350°F |

| QTY. | DIAL SIZE | CASE STYLE | RANGE | CAPILLARY LENGTH* | TAG |
|------|-----------|------------|-------|-------------------|-----|
| | | | | | |
| | | | | | |
| | | | | | |
| | | | | | |
| | | | | | |

NOTE: Dual Scales available.

*Distance between Indicating Head and Mounting Flange.

CUSTOMER _____
PROJECT _____
ENGINEER _____
PRO or P.O. NO. _____



WEISS INSTRUMENTS, INC.
HOLTSVILLE, NEW YORK 11742

DESCRIPTION:
Remote Reading Vapor Actuated Dial Thermometer
Averaging Bulb Construction

DRAWN BY: _____ DATE: _____ DRAWING: _____