

REV	ECN No.	DESCRIPTION	BY	DATE
A	N/A	RELEASED	MC	2007 10 25

Congratulations. You have purchased the best gas-actuated thermometer in the market. Thanks to our patented zero-volume Ni-Span coil, the Weiss thermometer delivers the highest accuracy with the lowest ambient error without the need for external compensation.

#### INSTALLATION OF REMOTE-MOUNTED THERMOMETERS.

##### CASE & CAPILLARY LINE.

Mount the case of the thermometer where it can be easily read. Avoid extreme temperatures on the case and capillary line to minimize error due to ambient conditions. The case temperature should not exceed 160°F (70°C).

Do not bend the capillary line sharply. Use a 1" minimum bend radius if possible. Avoid sharp objects that may produce cuts on the capillary line. Coil and secure the excess length.

##### TEMPERATURE SENSING BULB.

Insert the sensing bulb into the thermowell or process connection. Hand-tighten the union connection, compression or sliding union fitting in place with the bulb inserted to the bottom of the well, then use a wrench to tighten in place about  $\frac{3}{4}$  to 1 turn from the hand-tight point.

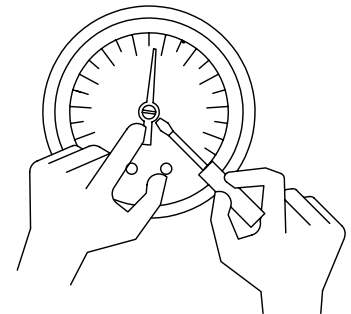
##### TESTING.

Every Weiss gas-actuated thermometer is carefully calibrated at the factory. Should it be necessary to test the accuracy of the thermometer, proceed as indicated below:

Place the sensing bulb in a liquid bath with proper agitation to ensure uniform temperature. Place the sensor of a test thermometer in close proximity to it. Wait several minutes until this setup reaches a stable temperature.

##### POINTER ADJUSTMENT.

- Remove the window.
- For lower temperature:  
Place left index finger at wide end of pointer, but close to hub. Insert screwdriver in pointer slot and turn slowly clockwise. Adjust to proper setting.
- For higher temperature:  
Place left index finger at wide end of pointer, but close to hub. Insert screwdriver in pointer slot and turn slowly counter-clockwise. Adjust to proper setting.



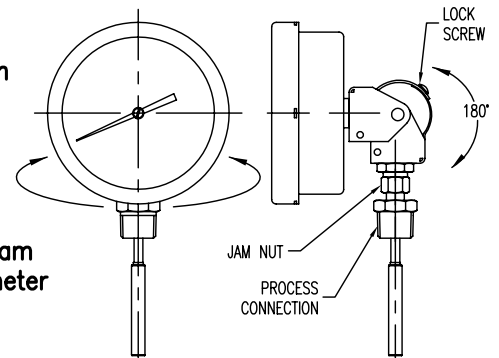
##### INSTALLATION OF DIRECT-MOUNTED THERMOMETERS.

The Weiss Vari-Angle (R) thermometer features an adjustable joint design that allows the user to adjust the orientation of the case to achieve the best reading position.

Insert the sensing bulb in the thermowell or process connection and hand-tighten the threaded connection in place.

Adjust the vertical orientation by loosening the lock screw in the back of the harness. Tighten it after rotating to the desired angle.

Adjust the horizontal location by rotating the case as desired, then tighten the jam nut or compression fitting with a wrench. Do not tighten by turning the thermometer case!



DRAWING PER ANSI Y14.5M-1994

TITLE:

ALL DIMENSIONS ARE IN INCHES.  
TOLERANCES UNLESS SPECIFIED:

DECIMAL .XX ±0.010  
DECIMAL .XXX ±0.005  
ANGLES ±1°

### GAS-ACTUATED THERMOMETER INSTALLATION INSTRUCTIONS

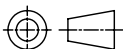


**WEISS INSTRUMENTS, INC.**  
A Quality Commitment - Since 1882

905 WAVERLY AVE., HOLTSVILLE, NEW YORK 11742  
PHONE: 631 207 1200 - FAX: 631 207 0900

[www.weissinstruments.com](http://www.weissinstruments.com)

THIRD ANGLE  
PROJECTION



DRAWN: M CUBILLO

DATE: 2007 10 25

DRAWING NO:

APPVD: JOHN WEISS

SCALE: 1:1

SIZE: A

124-0247

REV

A