

# WEISS INSTRUMENTS

Utility  
HVAC  
Diaphragm

## General Service Gauges



The Weiss Series TL Gauges are intended for general service conditions, for pressure or vacuum on air, oil, water, gas or other mediums that do not attack brass.

Steam Service Gauges should be protected from excessive temperature by the installation of a coil type syphon. (Cat.No. SY14-S iron or SY14-B brass)

**SPECIFICATIONS: TUBE & SOCKET** - Bronze, soft soldered to socket and tip. Brass socket.

**CASE & WINDOW** - Drawn steel case, finished in black with push-in polycarbonate window.

**DIAL** - White coated metal lithographed with black and red graduations lines and numerals, dual scale - psi & kPa.

**MOVEMENT** - All brass construction, precision gear and pinion, mounted on socket independent of case.

**POINTER** - Balanced design, aluminum in black finish.

**ACCURACY** 2% of the middle third of the entire range. ANSI-ASME B40.1 Grade B.

LOWER CONNECTION		
DIAL SIZE	CAT. NO.	NPT CONNECTION
1 1/2"	TL15	1/8"
2"	TL20	1/4"
2"	TL28	1/8" (Vacuum, 30psi thru 300psi)
2 1/2"	TL25	1/4"
3 1/2"	TL35	1/4"
4 1/2"	TL45	1/4"
CENTER BACK CONNECTION		
DIAL SIZE	CAT. NO.	NPT CONNECTION
1 1/2"	TL15	1/8"
2"	TL20	1/8" or 1/4"
2 1/2"	TL25	1/8" or 1/4"
3 1/2"	TL35	1/4"

TO SPECIFY				
CHOOSE CAT. NO. - PLUS RANGE CODE - PLUS CONNECTION				
INDICATES DIAL SIZE	-	RANGE CODE	RANGE	- SIZE & LOCATION
TL15	1 1/2"	015	0-15	8L = 1/8" Lower
TL20	2"	030	0-30	8B = 1/8" Ctr Back
TL28	2"	060	0-60	4L = 1/4" Lower
TL25	2 1/2"	100	0-100	4B = 1/4" Ctr Back
TL35	3 1/2"	160	0-160	
TL45	4 1/2"	200	0-200	
		300	0-300	
		400	0-400	
		600	0-600	
		VAC	0-30"HG	
		V30	30-0-30	
		V60	30-0-60	
		V100	30-0-100	
		V150	30-0-150	
Ex: TL25 - 100 - 4L				

## HVAC Gauges - Series 4CTA



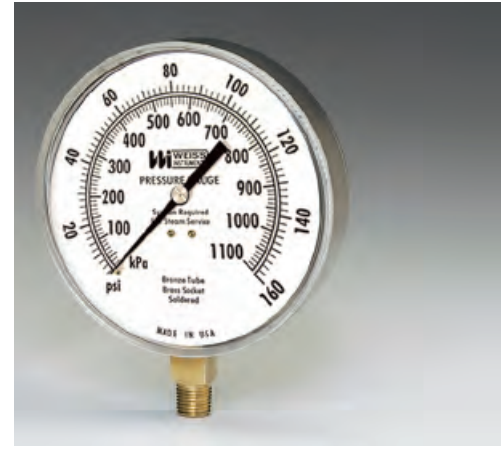
The Weiss HVAC Gauges meets the specifications of contractors in heating, plumbing, air conditioning and ventilating applications.

This Series of gauges are intended for general service conditions, for pressure or vacuum on air, oil, water, gas or other mediums that do not attack brass.

Steam Service Gauges should be protected from excessive temperature by the installation of a coil type syphon. (Cat. No. SY14-S iron or SY14-B brass)

**SPECIFICATIONS: CASE & WINDOW** -Stainless Steel back flange with push-in Lexan window.  
**TUBE & SOCKET** -Phosphor bronze. Brass socket and 1/4" male NPT lower connection. Soft soldered connection.  
**DIAL** -White coated metal lithographed with black graduations lines and numerals, dual scale - psi & kPa.  
**MOVEMENT** -All brass construction, precision gear and pinion.  
**POINTER** -Slotted adjustable.  
**ACCURACY** -1% ANSI-ASME B40.1 Grade 1A.

## Series 4CTS



**SPECIFICATIONS: CASE & WINDOW** -Drawn stainless steel, with push-in Lexan window.  
**TUBE & SOCKET** -Phosphor bronze. Brass socket and 1/4" male NPT lower connection. Soft soldered connection.  
**DIAL** -White coated metal lithographed with black graduations lines and numerals, dual scale - psi & kPa.  
**MOVEMENT** All brass construction, precision gear and pinion.  
**POINTER** -Slotted adjustable.  
**ACCURACY** -1% ANSI-ASME B40.1 Grade 1A.

## Standard Graduations

### PRESSURE (psi) - Series TL

Range	Figure interval	Minor graduation
0-15	1	0.5
0-30	5	0.5
0-60	5	1.0
0-100	10	2.0
0-160	20	5.0
0-200	20	5.0
0-300	30	10.0
0-400♦	50	10.0
0-600♦	50	10.0

### COMPOUND

Range	Figure interval		Minor graduation	
	in Hg	psi	in Hg	psi
30"Hg-15psi♦	5	3	1	0.5
30"Hg-30psi♦	10	5	2	1
30"Hg-60psi♦	10	10	2	2
30"Hg-100psi♦	30	20	5	2

### VACUUM

Range	Figure interval	Minor graduation
0-30"Hg	5"Hg	0.5"Hg

♦ Ranges not available on Catalog No. TL15.

### PRESSURE (psi) - Series 4CTA and 4CTS

Range <sup>1</sup>	Figure interval	Minor graduation
0-15	1	0.2
0-30	5	0.5
0-60	5	1.0
0-100	10	1.0
0-160	20	2.0
0-200	20	2.0
0-300	50	5.0
0-400	50	5.0
0-600	50	10.0

### COMPOUND

Range	Figure interval		Minor graduation	
	in Hg	psi	in Hg	psi
30"Hg-15psi <sup>2</sup>	10	5	1	0.5
30"Hg-30psi	10	5	1	1
30"Hg-60psi	10	10	2	2
30"Hg-100psi	15	10	5	2
30"Hg-150psi <sup>2</sup>	30	20	2	2

### VACUUM

Range	Figure interval	Minor graduation
0-30"Hg	5"Hg	0.5"Hg

<sup>1</sup> All dial ranges available in dual scale - psi & kPa, psi & Kg/cm<sup>2</sup>. Ranges 15psi thru 200psi available dual scale - psi & Ft H<sub>2</sub>O.

<sup>2</sup> Ranges are not offered on 4CTA Gauges.

## Diaphragm Gauges



## Series DG25



The Weiss Series DG Gauges are used where accuracy is required in the measurement of pressures below 10 psi. This line of diaphragm gauges offers an instrument highly sensitive yet durably constructed. Utilizing a thin walled copper alloy, the diaphragm senses slight pressure or vacuum and expands or contracts. The action of the element is quickly and accurately indicated within 1.5% of full scale range.

The Weiss Diaphragm Gauge is an excellent choice for a wide variety of applications where the standard bourdon tube gauge cannot perform reliably. Some of the uses are filter monitoring, leak testers and LP gas.

**SPECIFICATIONS: CASE** - Black drawn steel, with twist lock polycarbonate window.

**DIAPHRAGM** - Copper alloy.

**SOCKET** - Brass, 1/4" NPT lower or center back connection.

**MOVEMENT** - Brass.

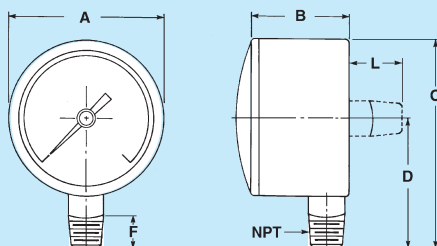
**DIAL** - White coated metal lithographed with black graduations lines and numerals.

**POINTER** - Balanced design, aluminum in black finish. **ACCURACY** - 1.5% of full scale range.

TO SPECIFY						
SERIES	SIZE	RANGE TYPE	CASE STYLE	NPT	MOUNT	RANGE
DG	2 1/2" 25	P3-Pressure V3-Vacuum C3-Combination	U-U Clamp	1/4"	LM* CBM**	— —
Ex: DG25P3 1/4" LM 0-10psi *LM - Lower Mount **CBM - Center Back Mount						

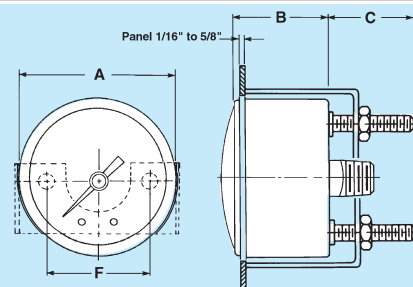
PRESSURE			COMBINATION		INNER SCALE		OUTER SCALE	
RANGE	GRADUATIONS	FIG. INTERVAL	IN. WATER OUTER SCALE	OZ. WATER INNER SCALE	GRADS	FIGURE INTERVAL	GRADS	FIGURE INTERVAL
0-3psi*	0.05	0.5	0-35	0-20	0.5	5.0	0.5	5.0
0-5 psi	0.1	1.0	0-15	0-9	0.2	1.0	0.2	3.0
0-10 psi	0.1	1.0	0-60	0-35	1.0	5.0	1.0	10.0
<b>inch/water</b>								
0-15	0.2	3.0						
0-30	0.5	5.0						
0-60	1.0	10.0						
0-100	1.0	10.0						
<b>oz.-sq. in.</b>			<b>VACUUM - in water vac.</b>					
0-10	0.1	1.0	<b>RANGE</b>	<b>GRADUATIONS</b>	<b>FIG. INTERVAL</b>			
0-15*	0.2	3.0	30-0	0.5	5.0			
0-30	1.0	5.0	60-0	1.0	10.0			
0-100	1.0	10.0	100-0	1.0	10.0			

\*Lower connection only.



LOWER AND CENTER BACK CONNECTION

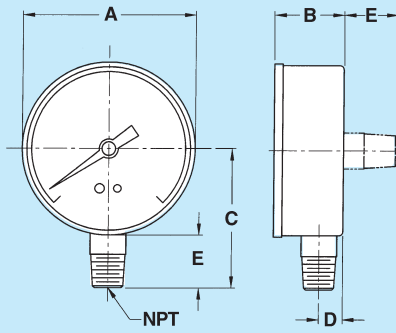
SERIES		A	B	C	D	F	L	NPT
DG25	INCH	2.64	1.83	2.62	55.8	.5	.88	1/4"
	MM	67	46.5	66.5	2.2	12.7	22.3	



U CLAMP MOUNT - CENTER BACK CONNECTION

SERIES		A	B	C	F	Panel Hole	NPT
DG25	INCH	2.64	1.83	1.00	2.00	2.65	1/4"
	MM	67	46.5	25.4	50.8	67.3	

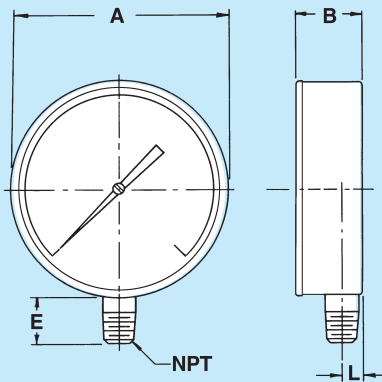
## Series TL



LOWER AND CENTER BACK CONNECTION

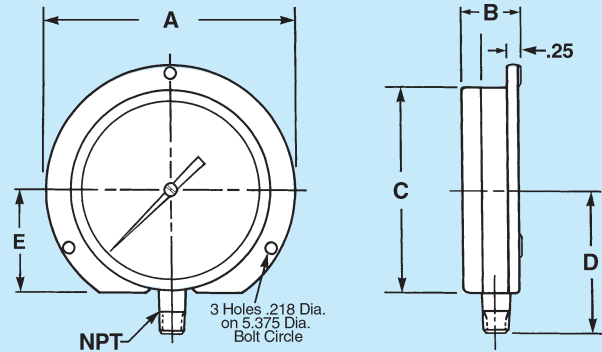
DIAL SIZE		A	B	C	D	E	NPT
1 1/2"	(IN.)	1.65	.91	1.47	.34	.64	1/8"
2"		2.03	1.11	1.80	.39	.80	1/8 or 1/4"
2 1/2"		2.47	1.19	2.06	.40	.82	1/8 or 1/4"
3 1/2"		3.69	1.24	2.65	.44	.81	1/8 or 1/4"
4 1/2"		4.45	1.40	3.30	.50	1.06	1/4"

## Series 4CTS



SERIES		A	B	E	L	NPT
4CTS	INCH	4.62	1.12	1.062	.437	1/4"
	MM	117.3	28.4	26.9	11.09	

## Series 4CTA



SERIES		A	B	C	D	E	NPT
4CTA	INCH	5.81	1.37	4.75	3.37	2.37	1/4"
	MM	147.5	34.9	120.6	85.7	60.3	

# WEISS INSTRUMENTS

## Fire Protection Sprinkler Service Gauges



The Weiss Fire Protection Sprinkler Gauges are Underwriters Laboratory listed and Factory Mutual approved for fire protection sprinkler service. The 0-300 psi pressure range is used on "wet" systems where water is available to the sprinkler heads. The 0-80 retard to 250 psi pressure range is used on dry systems where the lines are filled with air pressure until system activation.

**SPECIFICATIONS**

**DIAL SIZE** - 3 1/2"

**CASE** - ABS (POLYCARBONATE)

**WINDOW** - POLYCARBONATE PUSH-IN

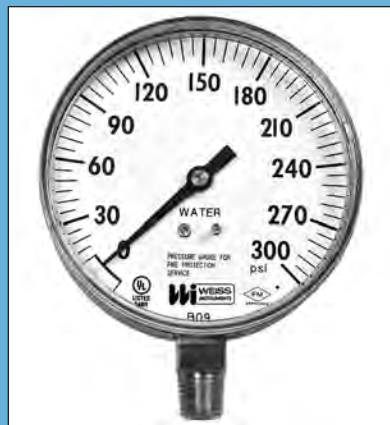
**ACCURACY** - ASME B40.1 Grade 3-2-3%

**TUBE & SOCKET** - BRONZE / BRASS

**CONNECTION** - 1/4" NPT LOWER

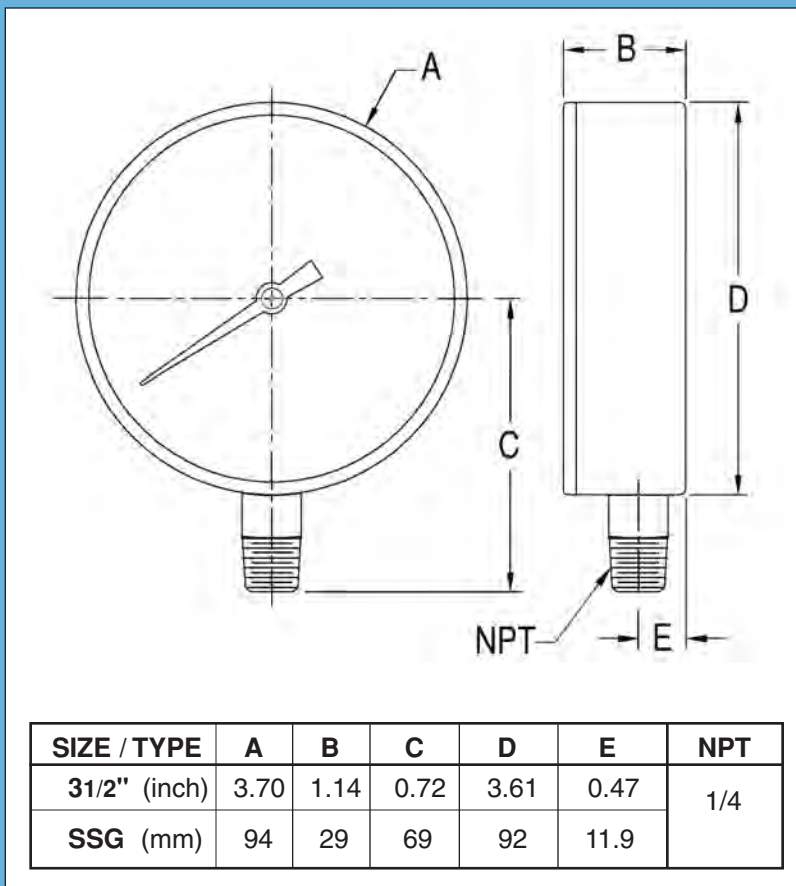
**APPROVALS** - UL / FACTORY MUTUAL

**OPERATING TEMP** -40/150°F



Zero Zone indication, a standard feature on these gauges, reduces the potential risk of installing a damaged gauge on your equipment.

CAT NO.	RANGE
SSG-300-4L	0-300 psi (Water)
SSG-080-4L	0-80 Retard to 250 psi (Air)



SSG-7/09