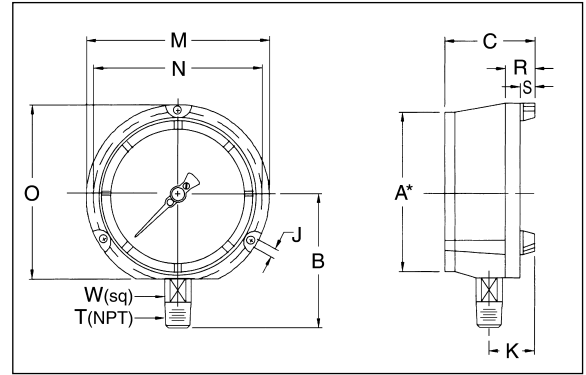


SOCKET - AISI 316 Stainless Steel
BOURDON TUBE - AISI 316 S.S. C Tube to 600 psi, Coiled Tube 1000 psi to 30,000 psi
CONNECTING JOINTS - Welded
MOVEMENT - Bushed Stainless Steel Rotary
DIAL - 4 1/2" Dual Scale - psi/kPa
POINTER - Black Aluminum, Micrometer Adjustable
CASE - Black Fiberglass Reinforced Polybutylene Terephthalate (PBT) Solid Front Construction, Blow Out Back Safety Design
RING - Reinforced Polypropylene
WINDOW - Glass (Shatter proof glass or acrylic available)
GASKETS - Buna N
ACCURACY - 0.5% ASME B40.1 Grade 2A
CONNECTIONS - 1/4" NPT or 1/2" NPT Lower



	A*	B	C	J	K	M	N	O	R	S	NPT	W
mm	114	103 ¹	82	6.0	38	148	136.5	141	25	12.5	-	22
in	4.5	4.06 ¹	3.23	0.24	1.50	5.83	5.37	5.55	0.98	0.49	1/2"	0.87

A* - Nominal Size. 1- Gauges with 1/4" NPT connection - dimension changes to 97mm (3.81 in.)

QTY.	CAT. NO.	DIAL DIA.	CONN.	RANGE	TAG
	NF4UGY-2	4 1/2"			
	NF4UGY-2	4 1/2"			
	NF4UGY-2	4 1/2"			
	NF4UGY-2	4 1/2"			

PRESSURE - RANGES (psi)

Range	Graduations	
	minor graduation	figure interval
0-15	0.1	1
0-30	0.2	5
0-60	0.5	5
0-100	1	10
0-160	1	20
0-200	2	20
0-300	2	50
0-400	5	50
0-600	5	50

COMPOUND - RANGES

Range	Graduations			
	minor graduation	figure interval	figure interval	
	inch Hg	PSI	inch Hg	PSI
30-0-15	0.5	0.2	5	3
30-0-30	1	0.5	10	5
30-0-60	1	1	10	10
30-0-100	2	1	10	10
30-0-150	5	2	10	20
30-0-300	5	2	30	25

VACUUM - RANGES

Range	Graduations	
	minor graduation	figure interval
inch Hg 30-0	0.2	5

CUSTOMER _____
 PROJECT _____
 ENGINEER _____
 PRO or P.O. NO. _____



WEISS INSTRUMENTS, INC.
 HOLTSMILLE, NEW YORK 11742

DESCRIPTION:

4 1/2" Process Pressure Gauge
 Series NF4UGY2 - Dry Construction

DRAWN BY: _____ DATE: _____ DRAWING: _____