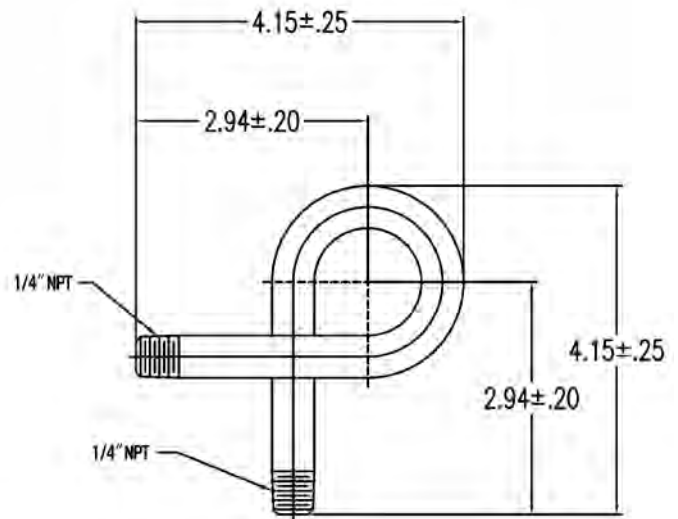


STRAIGHT FORM



ANGLE FORM

CAT. NO.	MATERIAL	SCHEDULE	RATING PSI		
			200F	400F	600F
SY-14S	CRS	40	308	308	308
SY-14B	BRASS	40	393	245	-
SY-14SS304	304SS	40	643	529	466
SY-14SS316	316SS	40	679	552	484
SY-14SEH	CRS	80	1046	1046	1046
SY-14SS304EH	304SS	80	2184	1800	1584
SY-14SS316EH	316SS	80	2307	1877	1646

NOTES:

1. These pressure temperature ratings are established on the basis of calculation in accordance with the ASME Boiler and Pressure Vessel Code, 1995 Addenda, Section 1, paragraph PG 27. It is the end user's responsibility to ensure that all components used in pressure retaining service are adequately designed for the anticipated conditions.

2. No allowance has been provided for corrosion.

Quantity	CATALOG NO.*	TAG

*For 90° Angle version prefix "A" to above Catalog numbers.

CUSTOMER _____

PROJECT _____

ENGINEER _____

PRO or P.O. NO. _____



WEISS INSTRUMENTS, INC.
HOLTSVILLE, NEW YORK 11742

DESCRIPTION:

1/4" NPT Steam Gauge Syphons

DRAWN BY:

DATE:

DRAWING: