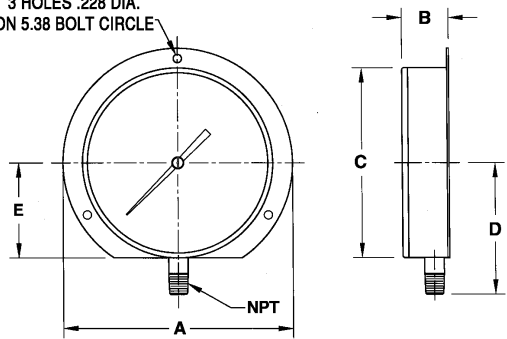


3 HOLES .228 DIA.
ON 5.38 BOLT CIRCLE



CASE & WINDOW -Stainless Steel back flange with push-in Lexan window.
TUBE & SOCKET -Phosphor bronze. Brass socket and 1/4" male NPT lower connection. Soft soldered connection.
DIAL -White coated metal lithographed with black graduations lines and numerals, dual scale - psi & kPa.
MOVEMENT - All brass construction, precision gear and pinion.
POINTER -Slotted adjustable.
ACCURACY -1% ANSI-ASME B40.1 Grade 1A.

SERIES		A	B	C	D	E	NPT
4CTA	INCH	5.87	1.2	4.88	3.37	2.37	1/4"
	MM	149.0	30.5	124.0	85.7	60.3	

QTY.	CAT. NO.	DIAL DIA.	RANGE	TAG
	4CTA	4 1/2"		
	4CTA	4 1/2"		
	4CTA	4 1/2"		
	4CTA	4 1/2"		
	4CTA	4 1/2"		

PRESSURE		
RANGE CODE	RANGE - psi	kPa
015	0-15	0-100
030	0-30	0-200
060	0-60	0-400
100	0-100	0-700
160	0-160	0-1100
200	0-200	0-1400
300	0-300	0-2100
400	0-400	0-2800
600	0-600	0-4200
VAC	0-30"HG	-100-0
V30	30"-0-30	-100-200
V60	30"-0-60	-100-400
V100	30"-0-100	-100-700

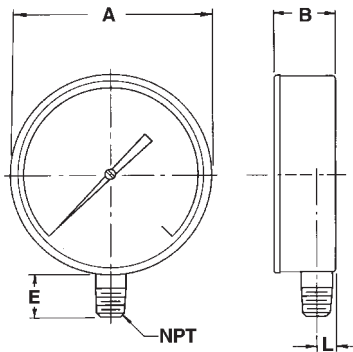
CUSTOMER _____
 PROJECT _____
 ENGINEER _____
 PRO or P.O. NO. _____



WEISS INSTRUMENTS, INC.
 HOLTSVILLE, NEW YORK 11742

DESCRIPTION:
4 1/2" HVAC Pressure Gauge
 Series 4CTA

DRAWN BY: _____ DATE: _____ DRAWING: _____



CASE - Drawn stainless steel, with push-in Lexan window.
TUBE & SOCKET - Phosphor bronze. Brass socket and 1/4" male NPT lower connection. Soft soldered connection.
DIAL - White coated metal lithographed with black graduations lines and numerals.
MOVEMENT - All brass construction, precision gear and pinion.
POINTER - Slotted adjustable.
ACCURACY - 1% ANSI-ASME B40.1 Grade 1A.

SERIES		A	B	E	L	NPT
4CTS	INCH	4.62	1.12	1.062	.437	1/4"
	MM	117.3	28.4	26.9	11.09	

QTY.	CAT. NO.	DIAL DIA.	RANGE	TAG
	4CTS	4 1/2"		
	4CTS	4 1/2"		
	4CTS	4 1/2"		
	4CTS	4 1/2"		
	4CTS	4 1/2"		

PRESSURE (psi) - Series 4CTS

Range ¹	Figure interval	Minor graduation
0-15	1	0.2
0-30	5	0.5
0-60	5	1.0
0-100	10	1.0
0-160	20	2.0
0-200	20	2.0
0-300	50	5.0
0-400	50	5.0
0-600	50	10.0

Range	Figure interval		Minor graduation	
	in Hg	psi	in Hg	psi
30"Hg-15psi	10	5	1	0.5
30"Hg-30psi	10	5	1	1
30"Hg-60psi	10	10	2	2
30"Hg-100psi	15	10	5	2
30"Hg-150psi	30	20	2	2

VACUUM

Range	Figure interval	Minor graduation
0-30"Hg	5"Hg	0.5"Hg

¹ All dial ranges available in dual scale - psi & Kpa, psi & Kg/cm². Ranges 15psi thru 200psi available dual scale - psi & Ft H₂O.

CUSTOMER _____
 PROJECT _____
 ENGINEER _____
 PRO or P.O. NO. _____



WEISS INSTRUMENTS, INC.
 HOLTSTVILLE, NEW YORK 11742

DESCRIPTION:
4 1/2" HVAC Pressure Gauge
 Series 4CTS

DRAWN BY: _____ DATE: _____ DRAWING: _____