

# Light Powered Digital Vari-angle Thermometers

## Bimetal & Ind. Stem Types with Transmitter



**CASE SIZE & MATERIAL** - 5" Hermetically Sealed St.St.  
**RANGE** -50 to 300°F (-45 to 150°C) with F/C switch  
**ACCURACY** - 1%  
**WINDOW** - Glass / Acrylic / Shatterproof Glass  
**LUX RATING** - 10 Lux (one foot candle)  
**DISPLAY** - 1/2" LCD Digits  
**RESOLUTION** - 0.1°F between -19.9/199.9°F (-20/93°C)  
**AMBIENT OPERATING** -30/140°F (-35/60°C)  
**AMBIENT TEMPERATURE ERROR** - Zero  
**SENSOR** - Glass Passivated Thermistor  
**RESET** - Internal Potentiometer  
**STEM** - Bimetal: 1/4" Diameter with Fixed 1/2" NPT  
           Ind. Glass: 7/16" Tapered with 1 1/4"-18 jam nut  
**CONFORMANCE** - ASME B40.3

© Vari-angle is a registered trademark of Weiss Instruments, LLC.

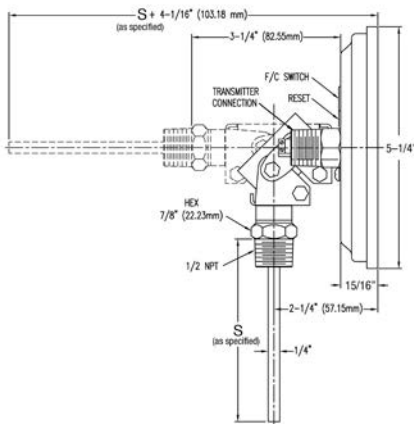
5" DIAL BIMETAL STEM		
Catalog No. 5" Vari-angle	Stem Length (incl. thread)	NPT
5DVBMT25	2 1/2"	1/2"
5DVBMT4	4"	1/2"
5DVBMT6	6"	1/2"
5DVBMT9	9"	1/2"
5DVBMT12	12"	1/2"

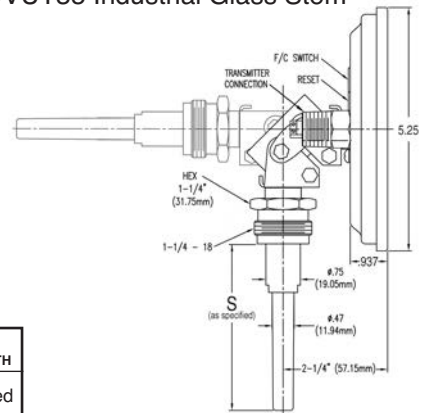
5" DIAL IND. GLASS STEM		
Catalog No. 5" Vari-angle	Stem Length (incl. thread)	Thread
5DVUT35	3 1/2"	1-1/4 - 18
5DVUT6	6"	1-1/4 - 18
5DVUT9	9"	1-1/4 - 18
5DVUT12	12"	1-1/4 - 18

Safety Glass option available

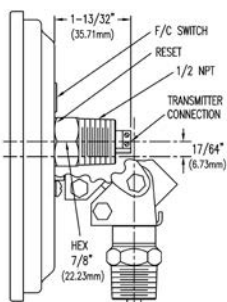
5DVBMT Bimetal Stem



5DVUT35 Industrial Glass Stem



DIAL SIZE	A	B	S STEM LENGTH
5"	5 1/4"	15/16"	as specified



### TRANSMITTER - Model 5DVBMT & 5DVUT

**RANGE** -58/302°F (-50/150°C)  
**OUTPUT** 4 to 20mA  
**OPERATING AMBIENT** -15/185°F (-25/85°C)  
**AMBIENT ERROR** .015% Span (°C)  
**SUPPLY** 12 to 35VDC  
**MAX. LOAD RESISTANCE** 775Ω with 24VDC Supply  
**ACCURACY** 0.5% of Span Platinum  
**SENSOR** 100ΩRTD

