



# INSTALLATION, OPERATING AND MAINTENANCE INSTRUCTIONS

## VARI-ANGLE® DIGITAL THERMOMETER - DVU



### **Warning:**

All thermometers should be selected considering the media and the ambient operating conditions. Improper application can be detrimental to the thermometer, cause failure and possibly personal injury or property damage.

### **Temperature Ranges**

Standard Fahrenheit and Celsius ranges have been established to encompass all normal temperature measurement requirements. A digital thermometer can be used at an operating temperature anywhere throughout its range. Provision should be made for extreme temperature conditions.

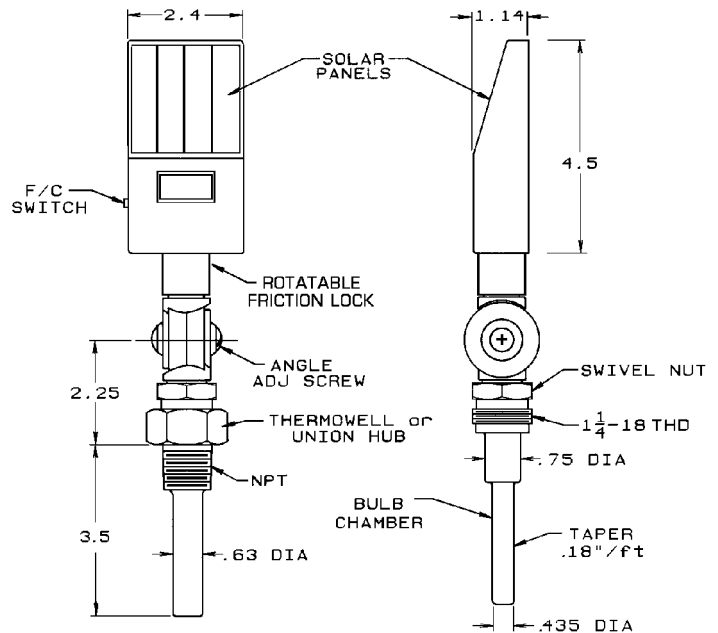
### **Thermowells**

Thermowells must be used in conjunction with these digital thermometers. Additionally, use of a thermowell permits instrument interchange or calibration check without disturbing or closing down the process.

1. Install thermowell, flange or union to apparatus.
2. Preset Case Position Angle.
  - a) Loosen angle adjusting screw 1-1 1/2 turns.
  - b) Carefully rotate case/joint to correct position angle.
  - c) Tighten angle adjusting screw.

**CAUTION:** Do not overtighten screw. Do not exceed 1/4 turn past snug-tight.

3. Assemble thermometer into thermowell, flange or union. Set case position to best viewing angle. Tighten 1 1/4 hex brass locknut.
4. A hand rotatable friction lock with the angle adjusting screw work independently to provide a full 360° positioning of thermometer in both directions. Turn case for best viewing angle.



Patent No. 5,196,781 / D 385,499

## WEISS INSTRUMENTS, INC.

905 Waverly Ave., Holtsville, New York 11742

631-207-1200 • Fax: 631.207.0900

www.weissinstruments.com

**A Quality Commitment • Since 1882**

---

In keeping with and for purposes of product improvement, Weiss Instruments reserves the right to make design changes without notice.

---