

WEISS INSTRUMENTS

Made in USA

Liquid Filled Pressure Gauges

These American made Liquid Filled Pressure Gauges come standard in a tough, corrosion and impact resistant Zytel Nylon case. They are available in a 2½" dial and a nominal 4.0" case in both a brass and 316SS internal construction. They are "fully filled" due to the internal "breathing diaphragm" which eliminates the need for an air bubble in the mid-range of the gauge. The standard fill is a non-yellowing, crystal clear glycerine for temperature of -40/150F.

SPECIFICATIONS

CASE:	Zytel Nylon - Black
BEZEL:	Zytel Nylon - Removable
LENS:	Acrylic
POINTER:	Black Aluminum
DIAL:	White Aluminum
FILL:	High Purity Glycerin
AMBIENT TEMP.:	-40 to 150°F

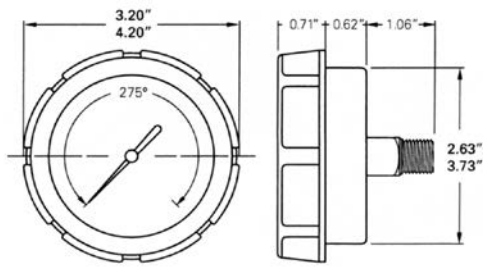
APPLICATIONS

Mobile Hydraulic Equipment
Irrigation / Water Purification
Waste Water
Food / Pharmaceutical
Bulk Transport Trailers
Military / Marine
Chemical Plants
Refineries

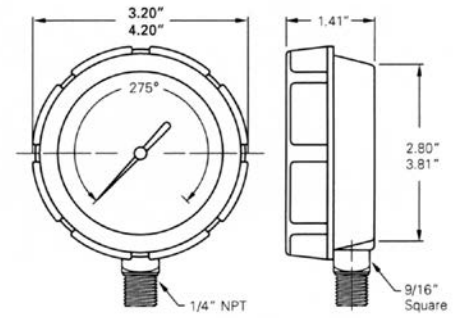


Made in USA





Case Dimensions - 2.5" and 3.5"



CAT. NO.	DIAL SIZE	RANGES	BOURDON TUBE	CONNECTION	SOCKET	ACCURACY
LF251Z	2.5"	Vacuum, Compound, Pressure to 5000 psi	Bronze	1/4" NPT Lower	Brass	ANSI B40.1 GRADE A 2/1/2%
LF441Z	4.0"	Vacuum, Compound, Pressure to 5000 psi	Bronze	1/4" NPT Lower	Brass	ANSI B40.1 GRADE 1A 1%
LF252Z	2.5"	Vacuum, Compound, Pressure to 10,000 psi	316 S.S.	1/4" NPT Lower	316 S.S.	ANSI B40.1 GRADE A 2/1/2%
LF442Z	4.0"	Vacuum, Compound, Pressure to 10,000 psi	316 S.S.	1/4" NPT Lower	316 S.S.	ANSI B40.1 GRADE 1A 1%

TO SPECIFY

CHOOSE CAT. NO.		PLUS RANGE CODE			PLUS CONNECTION	
INDICATES CONSTRUCTION		RANGE CODE			SIZE & LOCATION	
CAT. NO. - DIAL SIZE	INTERNALS	RANGE CODE	RANGE			
LIQUID FILL			psi	kPa		
		015	0-15	0-100	4L	= 1/4" Lower
LF251Z	2 1/2"	030	0-30	0-200		
LF252Z	2 1/2"	060	0-60	0-400		
LF441Z	4"	100	0-100	0-700		
LF442Z	4"	160	0-160	0-1100		
		200	0-200	0-1400		
		300	0-300	0-2100		
		400	0-400	0-2800		
		600	0-600	0-4200		
		1000	0-1000	0-7000		
		1500	0-1500	0-10,000		
		2000	0-2000	0-14,000		
		3000	0-3000	0-21,000		
		5000	0-5000	0-40,000		
		6000	0-6000	0-42,000		
		10000	0-10,000	0-70,000		
		VAC	0-30" HG	-100-0		
		V30	30"-0-30	-100-200		
		V60	30"-0-60	-100-400		
		V100	30"-0-100	-100-700		
		V150	30"-0-150	-100-1000		
		V200	30"-0-200	-100-1400		
		V300	30"-0-300	-100-2100		

Ex: LF251Z – 100 – 4L

LFZ - 06/20