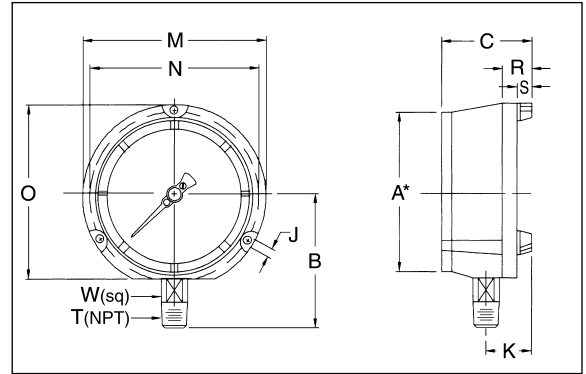


**SOCKET** - Brass  
**BOURDON TUBE** - Phosphor Bronze C Tube to 600 psi  
**CONNECTING JOINTS** - Silver Brazed  
**MOVEMENT** - Bushed Stainless Steel Rotary  
**DIAL** - 4 1/2" Dual Scale - psi/kPa  
**POINTER** - Black Aluminum, Micrometer Adjustable  
**CASE** - Black Fiberglass Reinforced Polybutylene Terephthalate (PBT) Solid Front Construction, Blow Out Back Safety Design  
**RING** - Reinforced Polypropylene  
**WINDOW** - Tempered Glass (Shatter proof glass or acrylic available)  
**GASKETS** - Buna N  
**ACCURACY** - 0.5% ASME B40.1 Grade 2A  
**CONNECTIONS** - 1/4" NPT or 1/2" NPT Lower



	A*	B	C	J	K	M	N	O	R	S	NPT	W
mm	114	103 <sup>1</sup>	82	6.0	38	148	136.5	141	25	12.5	—	22
in	4.5	4.06 <sup>1</sup>	3.23	0.24	1.50	5.83	5.37	5.55	0.98	0.49	1/2"	0.87

A\* - Nominal Size. 1- Gauges with 1/4" NPT connection – dimension changes to 97mm (3.81 in.)

QTY.	CAT. NO.	DIAL DIA.	CONN.	RANGE	TAG
	NF4UGY-1	4 1/2"			
	NF4UGY-1	4 1/2"			
	NF4UGY-1	4 1/2"			
	NF4UGY-1	4 1/2"			

**PRESSURE – RANGES (psi)**

Range	Graduations	
	minor graduation	figure interval
0-15	0.1	1
0-30	0.2	5
0-60	0.5	5
0-100	1	10
0-160	1	20
0-200	2	20
0-300	2	50
0-400	5	50
0-600	5	50

**COMPOUND – RANGES**

Range	Graduations			
	minor graduation	figure interval	inch Hg	PSI
	inch Hg	PSI	inch Hg	PSI
30-0-15	0.5	0.2	5	3
30-0-30	1	0.5	10	5
30-0-60	1	1	10	10
30-0-100	2	1	10	10
30-0-150	5	2	10	20
30-0-300	5	2	30	25

**VACUUM – RANGES**

Range	Graduations	
	minor graduation	figure interval
inch Hg 30-0	0.2	5

CUSTOMER \_\_\_\_\_  
 PROJECT \_\_\_\_\_  
 ENGINEER \_\_\_\_\_  
 PRO or P.O. NO. \_\_\_\_\_



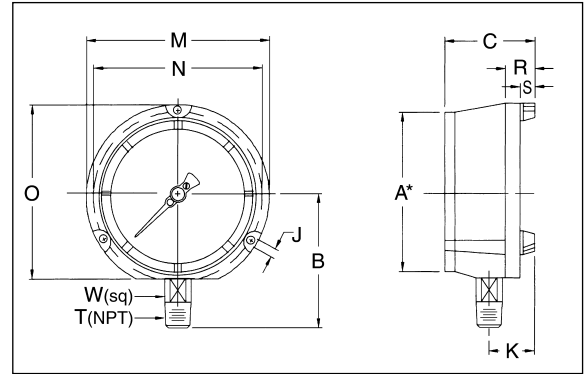
**WEISS INSTRUMENTS, LLC.**  
 HOLTSMILLE, NEW YORK 11742

**DESCRIPTION:**

**4 1/2" Process Pressure Gauge**  
**Series NF4UGY1 - Dry Construction**

DRAWN BY: \_\_\_\_\_ DATE: \_\_\_\_\_ DRAWING: \_\_\_\_\_

**SOCKET** - AISI 316 Stainless Steel  
**BOURDON TUBE** - AISI 316 S.S. C Tube to 600 psi, Coiled Tube 1000 psi to 30,000 psi  
**CONNECTING JOINTS** - Welded  
**MOVEMENT** - Bushed Stainless Steel Rotary  
**DIAL** - 4 1/2" Dual Scale - psi/kPa  
**POINTER** - Black Aluminum, Micrometer Adjustable  
**CASE** - Black Fiberglass Reinforced Polybutylene Terephthalate (PBT) Solid Front Construction, Blow Out Back Safety Design  
**RING** - Reinforced Polypropylene  
**WINDOW** - Tempered Glass (Shatter proof glass or acrylic available)  
**GASKETS** - Buna N  
**ACCURACY** - 0.5% ASME B40.1 Grade 2A  
**CONNECTIONS** - 1/4" NPT or 1/2" NPT Lower



	A*	B	C	J	K	M	N	O	R	S	NPT	W
mm	114	103 <sup>1</sup>	82	6.0	38	148	136.5	141	25	12.5	—	22
in	4.5	4.06 <sup>1</sup>	3.23	0.24	1.50	5.83	5.37	5.55	0.98	0.49	1/2"	0.87

A\* - Nominal Size. 1- Gauges with 1/4" NPT connection – dimension changes to 97mm (3.81 in.)

QTY.	CAT. NO.	DIAL DIA.	CONN.	RANGE	TAG
	NF4UGY-2	4 1/2"			
	NF4UGY-2	4 1/2"			
	NF4UGY-2	4 1/2"			
	NF4UGY-2	4 1/2"			

**PRESSURE – RANGES (psi)**

Range	Graduations	
	minor graduation	figure interval
0-15	0.1	1
0-30	0.2	5
0-60	0.5	5
0-100	1	10
0-160	1	20
0-200	2	20
0-300	2	50
0-400	5	50
0-600	5	50

**COMPOUND – RANGES**

Range	Graduations			
	minor graduation	figure interval	minor graduation	figure interval
	inch Hg	PSI	inch Hg	PSI
30-0-15	0.5	0.2	5	3
30-0-30	1	0.5	10	5
30-0-60	1	1	10	10
30-0-100	2	1	10	10
30-0-150	5	2	10	20
30-0-300	5	2	30	25

**VACUUM – RANGES**

Range	Graduations	
	minor graduation	figure interval
inch Hg 30-0	0.2	5

CUSTOMER \_\_\_\_\_  
 PROJECT \_\_\_\_\_  
 ENGINEER \_\_\_\_\_  
 PRO or P.O. NO. \_\_\_\_\_



**WEISS INSTRUMENTS, LLC.**  
 HOLTSVILLE, NEW YORK 11742

DESCRIPTION:

**4 1/2" Process Pressure Gauge**  
**Series NF4UGY2 - Dry Construction**

DRAWN BY: \_\_\_\_\_ DATE: \_\_\_\_\_ DRAWING: \_\_\_\_\_