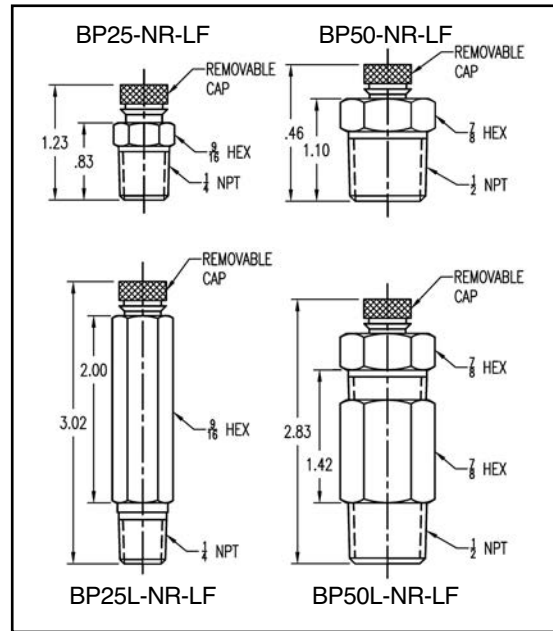


LEAD FREE TEMPERATURE / PRESSURE PLUGS

MATERIAL <0.25% Lead Free Brass.
 CERTIFICATION - UL in accordance with NSF/ANSI 372/61
 CERTIFICATION NR - 20131004 – MH59893
 CONNECTION - 1/4" NPT / 1/2" NPT



CAT. NO.	CORE	SIZE	LAGGING EXT.
BP25-NR-LF	Nordel	1/4" NPT	None
BP25-NP-LF	Neoprene	1/4" NPT	None
BP25L-NR-LF	Nordel	1/4" NPT	2"
BP25L-NP-LF	Neoprene	1/4" NPT	2"
BP50-NR-LF	Nordel	1/2" NPT	None
BP50-NP-LF	Neoprene	1/2" NPT	None
BP50L-NR-LF	Nordel	1/2" NPT	1.4"
BP50L-NP-LF	Neoprene	1/2" NPT	1.4"

QTY.	CAT. NO.	TAG

CUSTOMER _____
 PROJECT _____
 ENGINEER _____
 PRO or P.O. NO. _____



WEISS INSTRUMENTS, LLC.
 HOLTSTVILLE, NEW YORK 11742

DESCRIPTION:
**Lead Free
 Temperature/Pressure Plugs**

DRAWN BY: _____ DATE: _____ DRAWING: _____